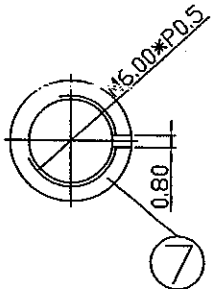
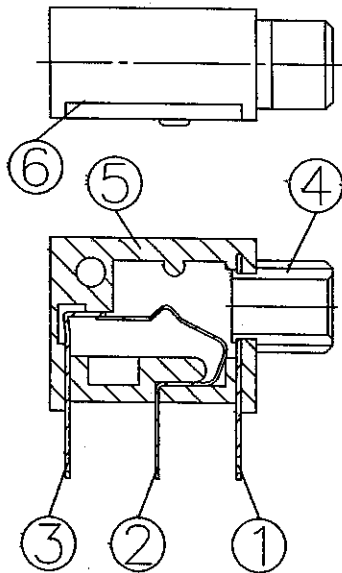
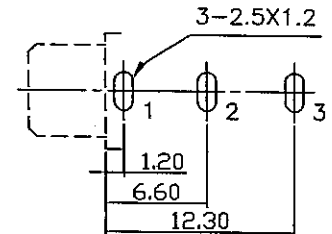
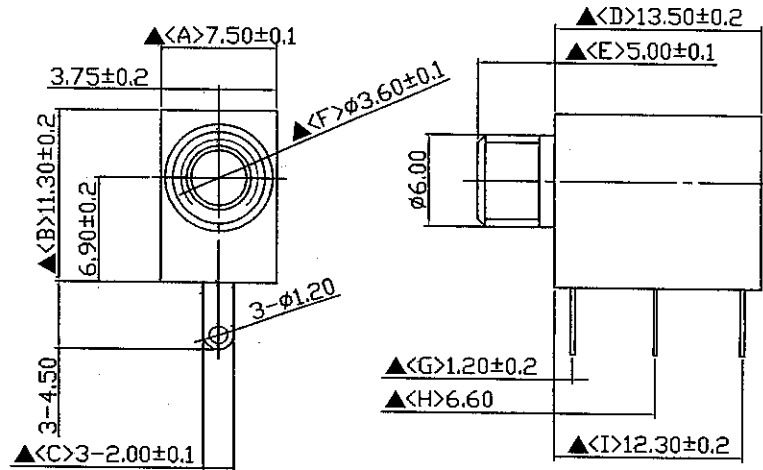
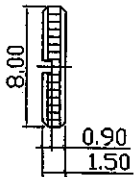


SCHEMATIC	
MODEL NO	Y



NUT



Pin Hole Layout  
(Jack Bottom View)

NO.	Description	Material	Q'TY	Finish
7.	Nut	1.5T Brass	1	Nickel Plated
6.	Cover	PC	1	Transparent
5.	Housing	POM	1	Black Color
4.	Barrel	Brass	1	Nickel Plated
3.	Break Terminal	0.3T Brass	1	Silver Plated
2.	Tip Spring	0.2T Phosphor Bronze	1	Silver Plated
1.	Earth Terminal	0.3T Brass	1	Silver Plated

DATE	DWN	CHKD
07.18.2012		

PART NAME : 3.5 $\phi$  PHONE JACK

TOLERANCE :  $\pm 0.3$ mm UNLESS OTHERWISE SPECIFIED

UNIT: mm

RoHS  
Pb Free Process

SPECIFICATIONS:  
 Contact Resistance : 30m $\Omega$  max  
 Insulation Resistance : 100M $\Omega$  min. at DC 500V  
 Dielectric Withstanding Voltage: AC 500V for one minute  
 Remark:  $\blacktriangle$ : The Most Important Dimension

**SHOGYO INTERNATIONAL CORP.**

**# SCJ328M1NYS1B00G**