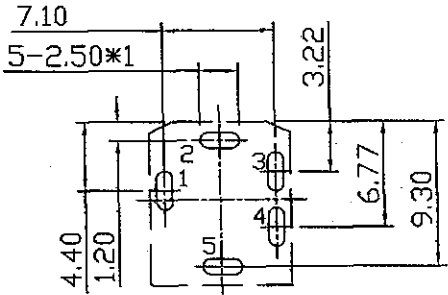
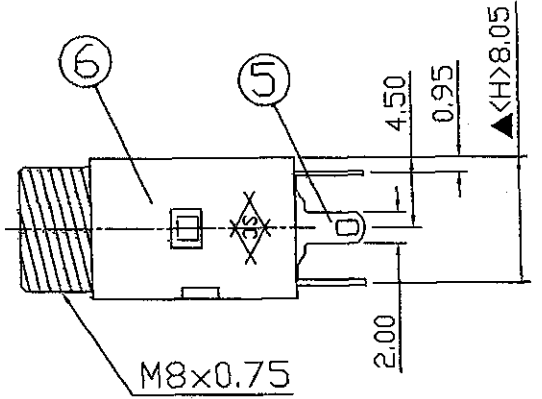
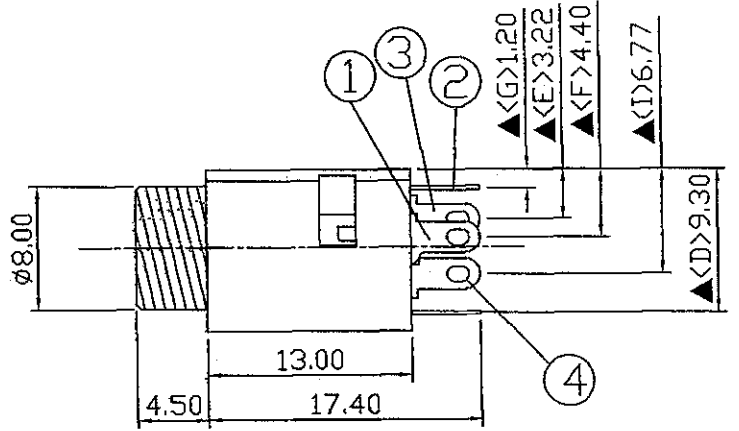


NUT



Pin Hole Layout
(Jack Bottom View)



6.	Housing	PBT	1	Black Color
5.	Tip Spring	0.2T Phosphor Bronze	1	Silver Plated
4.	Break Terminal	0.4T Bronze	1	Silver Plated
3.	Break Terminal	0.4T Bronze	1	Silver Plated
2.	Ring Spring	0.25T Phosphor Bronze	1	Silver Plated
1.	Earth Terminal	0.25T Phosphor Bronze	1	Silver Plated
NO.	Description	Material	Q'TY	Finish

DATE	DWN	CHKD
01.03.2012		

PART NAME : 3.5φ PHONE JACK

TOLERANCE : ±0.3mm UNLESS OTHERWISE SPECIFIED

UNIT:mm

RoHS
Compliant

SPECIFICATIONS:
 Contact Resistance : 30mΩ max
 Insulation Resistance : 100MΩ min. at DC 500V
 Dielectric Withstanding Voltage: AC 500V for one minute
 Remark: ▲: The Most Important Dimension

SHOGYO INTERNATIONAL CORP.

SCJ332P10(*)S3B00G