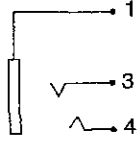
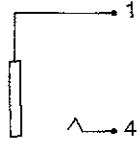


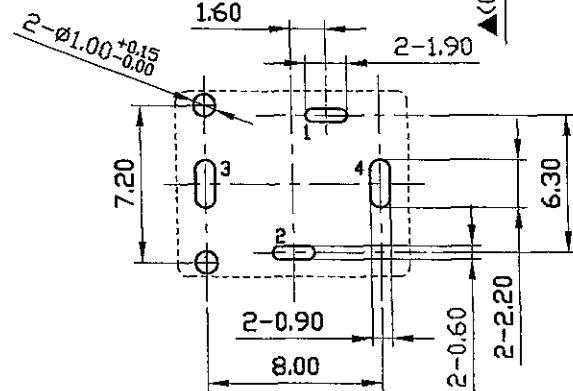
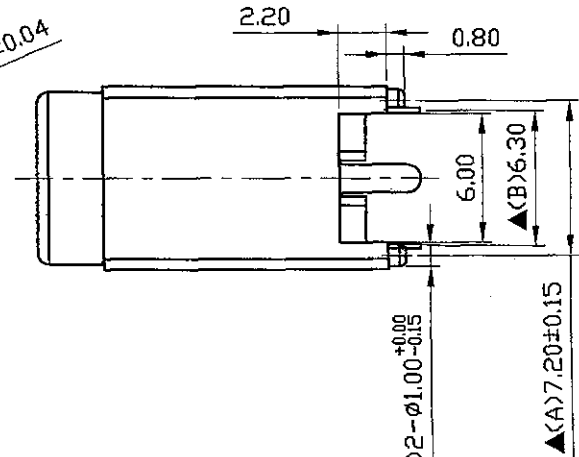
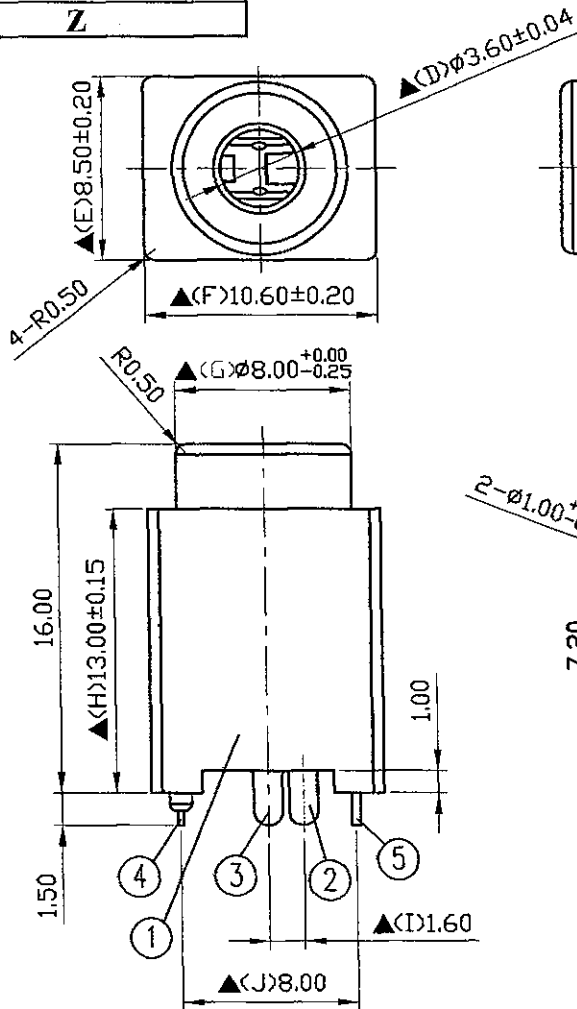
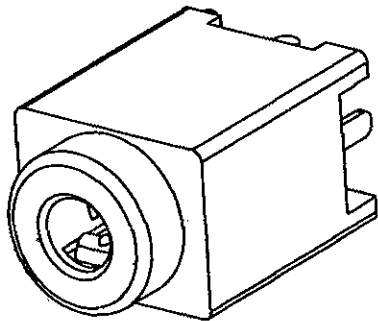
L



X



Z



Pin Hole Layout
(Jack Bottom View)

5.	TIP TERMINAL	0.40T Phosphor Bronze(4)	1	Silver Plated
4.	RING TERMINAL	0.25T Phosphor Bronze(3)	1	Silver Plated
3.	EARTH TERMINAL-2	0.25T Phosphor Bronze(2)	1	Silver Plated
2.	EARTH TERMINAL-1	0.25T Phosphor Bronze(1)	1	Silver Plated
1.	HOUSING	PA66+33%CF	1	Black Color
NO.	Description	Material	Q'TY	Finish

DATE	DWN	CHKD
01.04.2012		

PART NAME :	3.5φ PHONE JACK
TOLERANCE :	±0.3mm UNLESS OTHERWISE SPECIFIED
UNIT:	mm

RoHS
Pb Free Process

SPECIFICATIONS:
 Contact Resistance : 30mΩ max
 Insulation Resistance : 100MΩ min. at DC 500V
 Dielectric Withstanding Voltage: AC 500V for one minute
 Remark: ▲: The Most Important Dimension

SHOGYO INTERNATIONAL CORP.
 # SCJ333P00(*)S0B00G