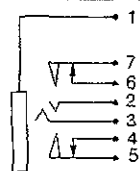
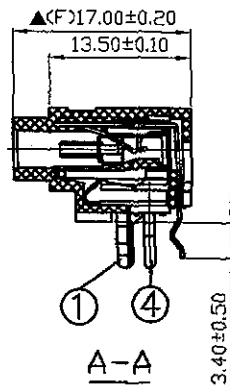


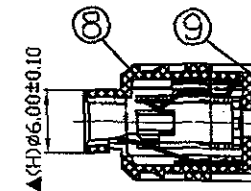
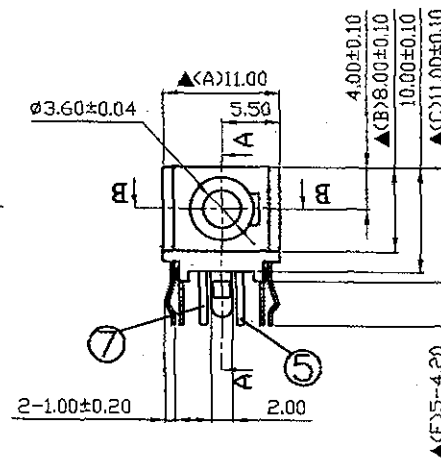
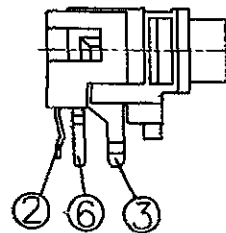
B



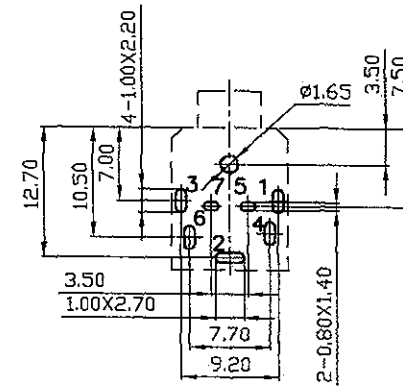
C



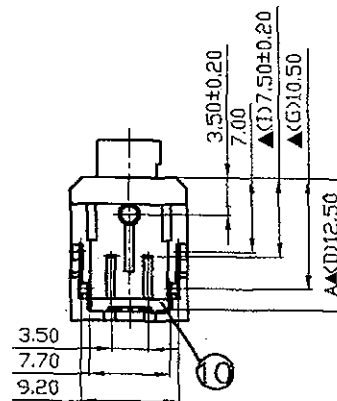
A-A



B-B



Pin Hole Layout
(Jack Bottom View)



10.	Insulator	PBT UL 94V-0	1	White Color
9.	Cover	PBT UL 94V-0	1	White Color
8.	Housing	PBT UL 94V-0	1	Black Color
7.	Separator Spring	0.2T Phosphor Bronze	1	Silver Plated
6.	Break Terminal	0.3T Brass	1	Silver Plated
5.	Separator Spring	0.2T Phosphor Bronze	1	Silver Plated
4.	Break Terminal	0.3T Brass	1	Silver Plated
3.	Ring Spring	0.25T Phosphor Bronze	1	Silver Plated
2.	Chip/Tip Spring	0.3T Phosphor Bronze	1	Silver Plated
1.	Earth Terminal	0.25T Phosphor Bronze	1	Silver Plated
NO.	Description	Material	Q'TY	Finish

DATE	DWN	CHKD
01.05.2012		

PART NAME: 3.5φ PHONE JACK

TOLERANCE: ±0.3mm UNLESS OTHERWISE SPECIFIED UNIT:mm



RoHS
Compliant

SPECIFICATIONS:
 Contact Resistance : 30mΩ max
 Insulation Resistance : 100MΩ min. at DC 500V
 Dielectric Withstanding Voltage: AC 500V for one minute
 Remark: ▲: The Most Important Dimension

SHOGYO INTERNATIONAL CORP.

SCJ336P00(*)S0B00G