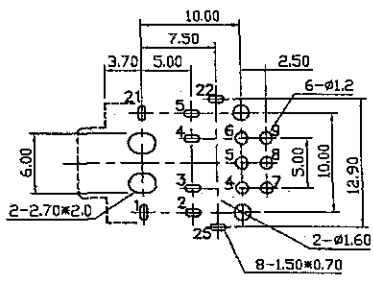
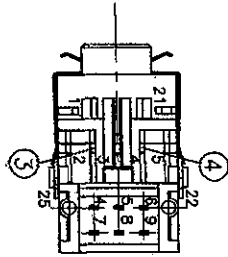
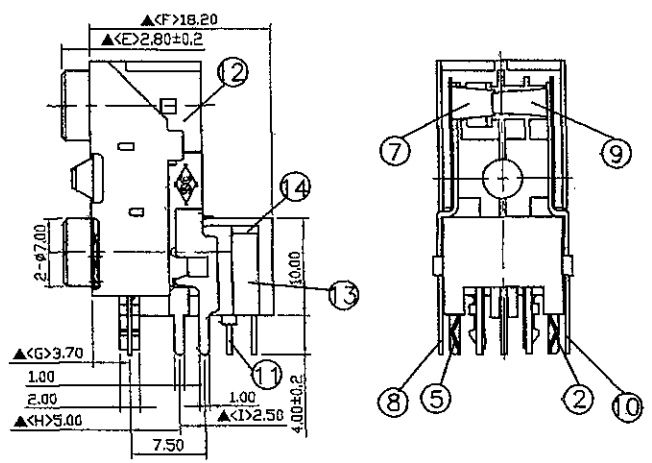
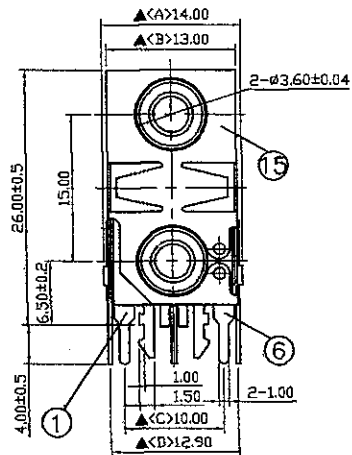


15.	Metal Shell	0.2T Brass	1	Silver Plated
14.	Back Housing Cover	ABS	1	Transparent
13.	Back Housing	PBT	1	Black Color
12.	Housing	PBT	1	Black Color
11.	Switch Pin	0.4T Brass	6	Silver Plated
10.	Tip Lead(TOP)	0.4T Brass	1	Silver Plated
9.	Tip Spring(TOP)	0.25T Phosphor Copper	1	Silver Plated
8.	Ring Lead(TOP)	0.4T Brass	1	Silver Plated
7.	Ring Spring(TOP)	0.25T Phosphor Copper	1	Silver Plated
6.	Earth Terminal(TOP)	0.4T Phosphor Copper	1	Silver Plated
5.	Tip Spring(DOWN)	0.25T Phosphor Copper	1	Silver Plated
4.	Break Terminal(DOWN)	0.4T Bronze	1	Silver Plated
3.	Break Terminal(DOWN)	0.4T Bronze	1	Silver Plated
2.	Ring Spring(DOWN)	0.3T Phosphor Copper	1	Silver Plated
1.	Earth Terminal(DOWN)	0.4T Phosphor Copper	1	Silver Plated
NO.	Description	Material	Q'TY	Finish



Pin Hole Layout  
(Jack Bottom View)

RoHS  
Compliant

SPECIFICATIONS:  
 Contact Resistance : 30mΩ max  
 Insulation Resistance : 100MΩ min. at DC 500V  
 Dielectric Withstand Voltage : AC 500V for one minute  
 Remark: ▲ : The Most Important Dimension

DATE	DWN	CHKD
10.10.2011		

PART NAME : 3.5φ PHONE JACK

TOLERANCE : ±0.3mm UNLESS OTHERWISE SPECIFIED UNIT:mm

**SHOGYO INTERNATIONAL CORP.**  
 # SCJ352P00(\*)S0BNSG