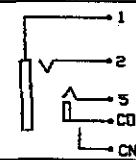
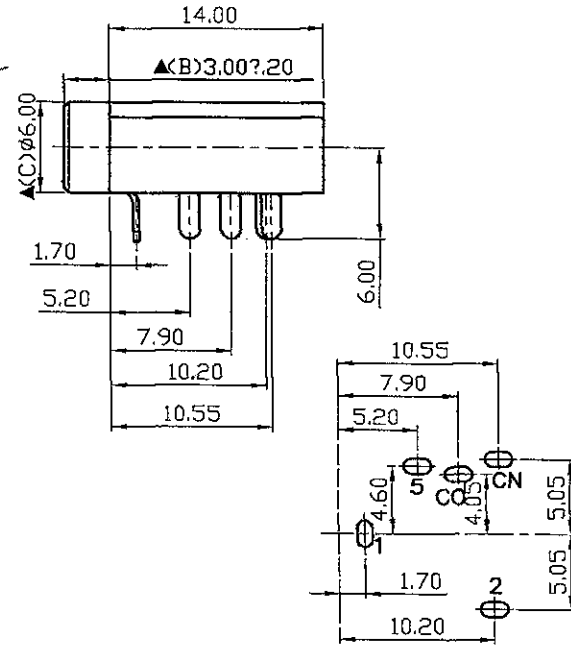
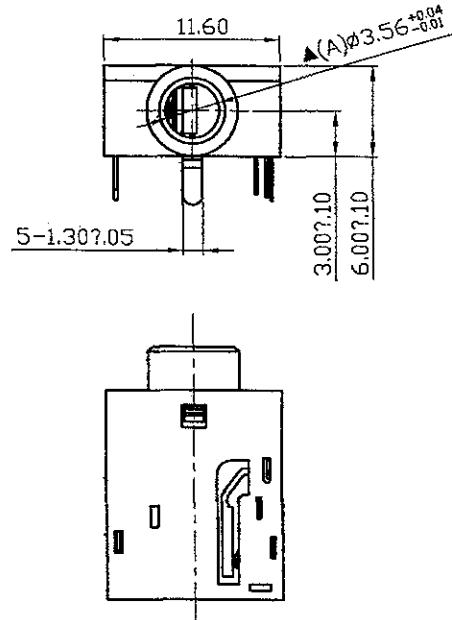
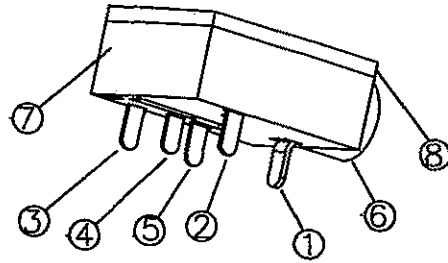


| | |
|-----------|---|
| Schematic |  |
| MODEL NO | R |




Pin Hole Layout
(Jack Bottom View)

| | | | | |
|----|---------------------|-----------------------|------|---------------|
| 8 | Cover | PC | 1 | Trans Parent |
| 7 | Housing | PA66 | 1 | Black Color |
| 6 | Barrel(With Thread) | Brass | 1 | Nickel Plated |
| 5 | Tip Spring | 0.25T Phosphor Bronze | 1 | Silver Plated |
| 4 | CO Terminal | 0.2T Phosphor Bronze | 1 | Silver Plated |
| 3 | CN Terminal | 0.2T Phosphor Bronze | 1 | Silver Plated |
| 2 | Ring Spring | 0.25T Phosphor Bronze | 1 | Silver Plated |
| 1 | Earth Terminal | 0.4T Brass | 1 | Silver Plated |
| NO | Description | Material | Q'TY | Finish |

| | | |
|------------|-----|------|
| DATE | DWN | CHKD |
| 10.10.2011 | | |

PART NAME :3.5φ PHONE JACK

TOLERANCE :±0.3mm UNLESS OTHERWISE SPECIFIED

UNIT:mm 

RoHS
Pb Free Process

SPECIFICATIONS:

Contact Resistance : 30mΩ max
 Insulation Resistance : 100MΩ min. at DC 500V
 Dielectric Withstanding Voltage: AC 500V for one minute
 Remark: ▲ : The Most Important Dimension

SHOGYO INTERNATIONAL CORP.

SCJ354M0NRS0B00G