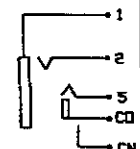
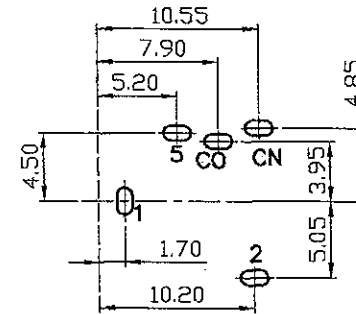
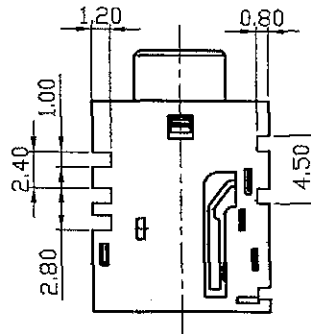
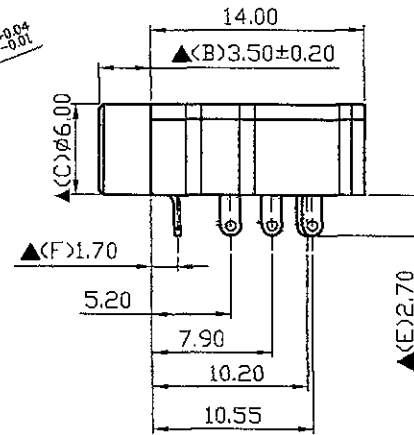
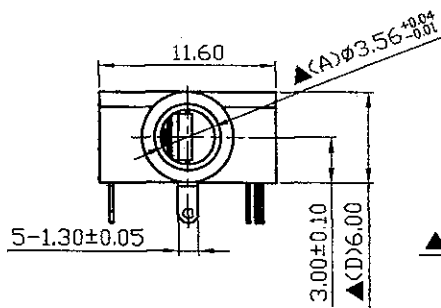
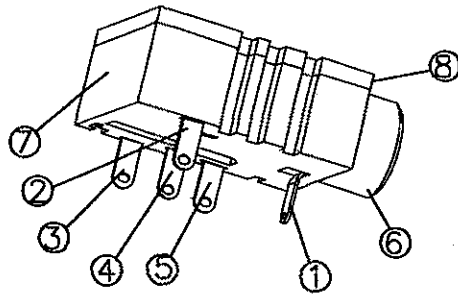


|           |   |
|-----------|---|
| Schematic |  |
| MODEL NO  | R   |




Pin Hole Layout  
(Jack Bottom View)

| NO | Description         | Material              | Q'TY | Finish        |
|----|---------------------|-----------------------|------|---------------|
| 8  | Cover               | ABS                   | 1    | Transparent   |
| 7  | Housing             | PA66+33%GF            | 1    | Black Color   |
| 6  | Barrel(With Thread) | Brass                 | 1    | Nickel Plated |
| 5  | Tip Spring          | 0.25T Phosphor Bronze | 1    | Silver Plated |
| 4  | CO Terminal         | 0.2T Phosphor Bronze  | 1    | Silver Plated |
| 3  | CN Terminal         | 0.2T Phosphor Bronze  | 1    | Silver Plated |
| 2  | Ring Spring         | 0.25T Phosphor Bronze | 1    | Silver Plated |
| 1  | Earth Terminal      | 0.4T Brass            | 1    | Silver Plated |

| DATE       | DWN | CHKD |
|------------|-----|------|
| 10.10.2011 |     |      |

PART NAME :3.5φ PHONE JACK

TOLERANCE :±0.3mm UNLESS OTHERWISE SPECIFIED

UNIT:mm 

RoHS  
Pb Free Process

SPECIFICATIONS:

Contact Resistance : 30mΩ max  
 Insulation Resistance : 100MΩ min. at DC 500V  
 Dielectric Withstanding Voltage: AC 500V for one minute  
 Remark: ▲ : The Most Important Dimension

**SHOGYO INTERNATIONAL CORP.**

# SCJ354M0NRS0BA1G