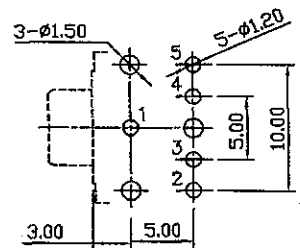
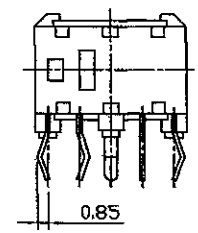
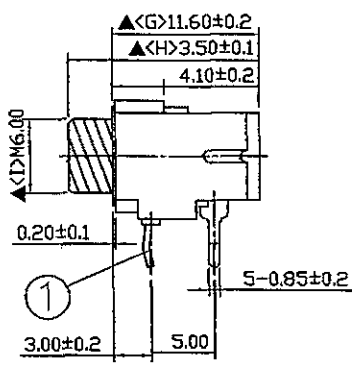
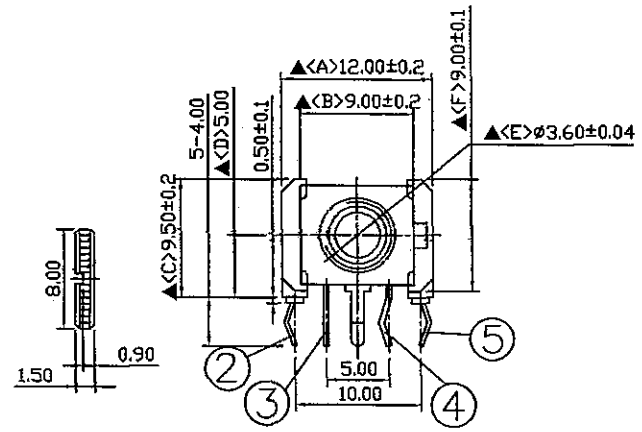
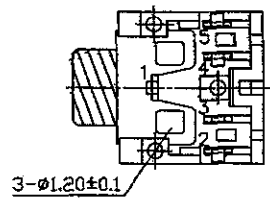


NUT



Pin Hole Layout
(Jack Bottom View)



9.	Nut	1.5T Brass	1	Nickel Plated
8.	Cover	PBT	1	Black Color
7.	Housing	PBT	1	Black Color
6.	Sleeve(Barrel)	Brass	1	Nickel Plated
5.	Tip Spring	0.3T TiCuR1-M-EH	1	Silver Plated
4.	Break Terminal	0.4T Bronze	1	Silver Plated
3.	Break Terminal	0.4T Bronze	1	Silver Plated
2.	Ring Spring	0.3T Phosphor Copper	1	Silver Plated
1.	Earth Terminal	0.5T Steel	1	Tin Plated
NO.	Description	Material	Q'TY	Finish

DATE	DWN	CHKD
10.10.2011		

PART NAME :3.5φ PHONE JACK	
TOLERANCE :±0.3mm UNLESS OTHERWISE SPECIFIED	UNIT:mm

RoHS
Compliant

SPECIFICATIONS:
 Contact Resistance : 30mΩ max
 Insulation Resistance : 100MΩ min. at DC 500V
 Dielectric Withstanding Voltage: AC 500V for one minute
 Remark: ▲: The Most Important Dimension

SHOGYO INTERNATIONAL CORP.
SCJ356M1N(*)S1B00G