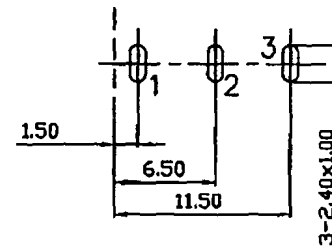
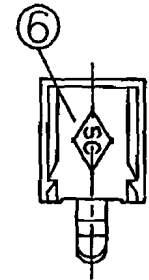
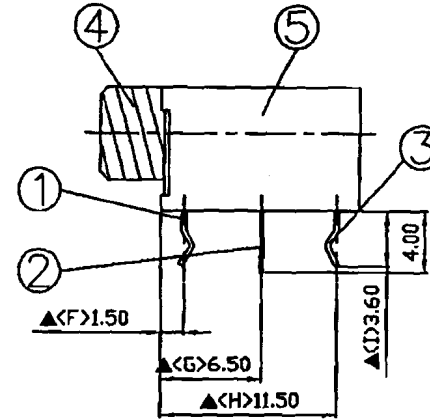
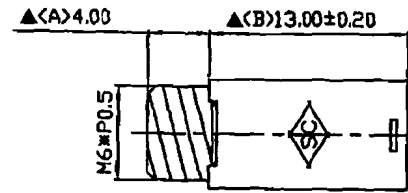
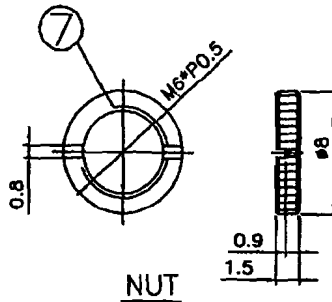
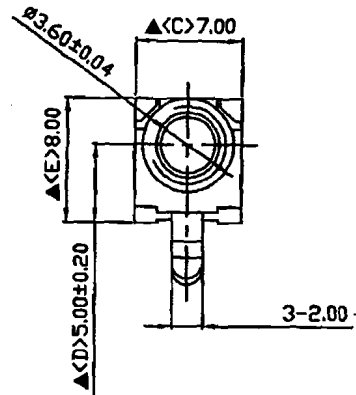


SCHEMATIC	
MODEL NO	Y



Pin Hole Layout  
(Jack Bottom View)

7	NUT	15T Brass	1	Nickel Plated
6	Cover	POM	1	Black Color
5	Housing	PBT	1	Black Color
4	Barrel	Brass	1	Nickel Plated
3	Break Terminal	0.3T Brass	1	Silver Plated
2	Tip Spring	0.2T Phosphor Bronze	1	Silver Plated
1	Earth Terminal	0.3T Brass	1	Silver Plated
NO	Description	Material	Q'TY	Finish

DATE	DWN	CHKD
12.08.2005	易愛娣	

PART NAME: 3.5 $\phi$  PHONE JACK

TOLERANCE :  $\pm 0.3$ mm UNLESS OTHERWISE SPECIFIED

UNIT: mm



**SPECIFICATIONS:**

Contact Resistance : 30m $\Omega$  max  
 Insulation Resistance : 100M $\Omega$  min. at DC 500V  
 Dielectric Withstanding Voltage: AC 500V for one minute  
 Remark:  $\blacktriangle$ : The Most Important Dimension

**SHOGYO INTERNATIONAL CORP.**

**# SCJ357MINYS1B00G**