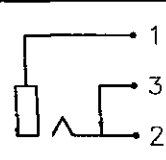
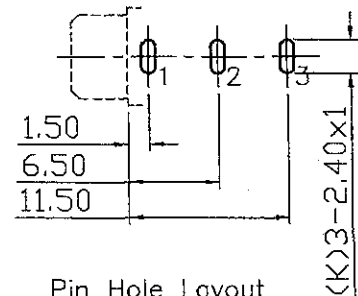
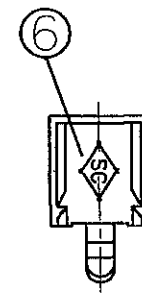
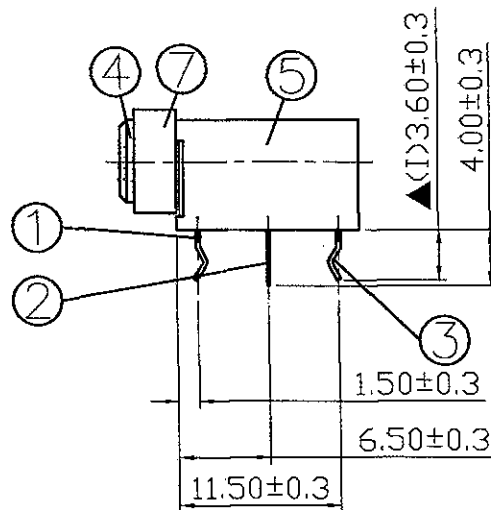
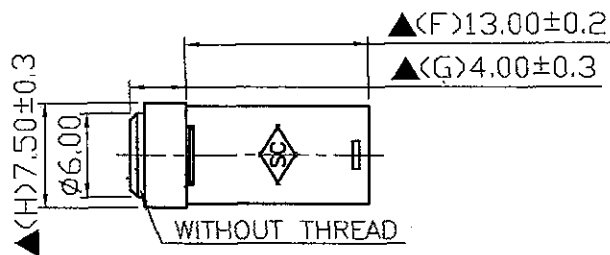
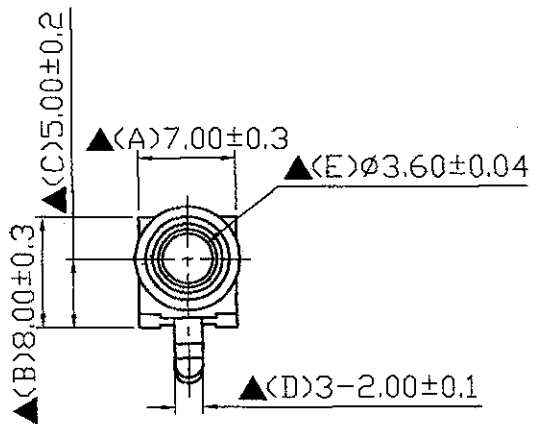


SCHEMATIC	
MODEL NO	Y




Pin Hole Layout
(Jack Bottom View)

NO.	Description	Material	Q'TY	Finish
7.	Plastic Sleeve	POM	1	Black Color
6.	Cover	POM	1	Black Color
5.	Housing	PBT	1	Black Color
4.	Barrel(W/O Thread)	Brass	1	Nickel Plated
3.	Break Terminal	0.3T Brass	1	Silver Plated
2.	Tip Spring	0.2T Phosphor Bronze	1	Silver Plated
1.	Earth Terminal	0.3T Brass	1	Silver Plated

DATE	DWN	CHKD
10.10.2011		

PART NAME: 3.5Ø PHONE JACK

TOLERANCE :±0.3mm UNLESS OTHERWISE SPECIFIED

UNIT:mm 

RoHS
Compliant

SPECIFICATIONS:
 Contact Resistance : 30mΩ max
 Insulation Resistance : 100MΩ min. at DC 500V
 Dielectric Withstanding Voltage: AC 500V for one minute
 Remark: ▲: The Most Important Dimension

SHOGYO INTERNATIONAL CORP.

SCJ357M2NYS0BB0G