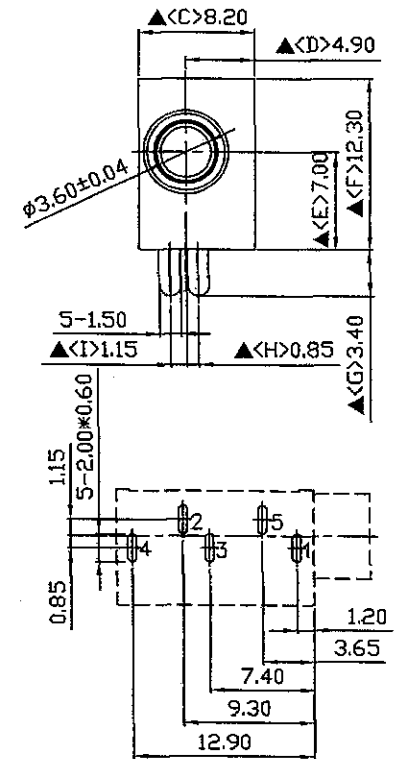
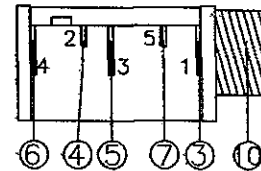
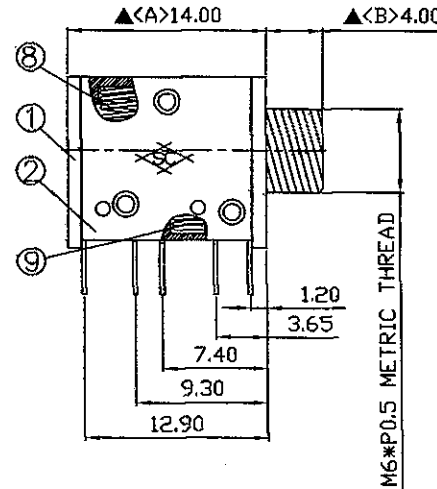


NUT



Pin Hole Layout
(Jack Bottom View)

11.	Nut	1.5T Brass	1	Nickel Plated
10.	Barrel	Brass	1	Nickel Plated
9.	Spring S	SUS-304	1	
8.	Spring L	SUS-304	1	
7.	Tip Spring	0.25T Brass	1	Silver Plated
6.	Shunt Terminal B	0.3T Brass	1	Silver Plated
5.	Shunt Terminal A	0.3T Brass	1	Silver Plated
4.	Ring Spring	0.25T Brass	1	Silver Plated
3.	Earth Terminal	0.3T Brass	1	Silver Plated
2.	Cover	PBT	1	Black Color
1.	Housing	PBT	1	Black Color
NO.	Description	Material	Q'TY	Finish

DATE	DWN	CHKD
10.10.2011		

PART NAME: 3.5φ PHONE JACK

TOLERANCE :±0.3mm UNLESS OTHERWISE SPECIFIED

UNIT:mm

RoHS
Compliant

SPECIFICATIONS:
 Contact Resistance : 30mΩ max
 Insulation Resistance : 100MΩ min. at DC 500V
 Dielectric Withstanding Voltage: AC 500V for one minute
 Remark: ▲: The Most Important Dimension

SHOGYO INTERNATIONAL CORP.

SCJ368M1N(*)S1B00G