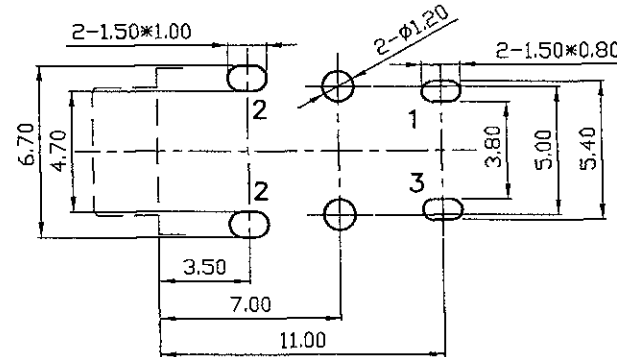
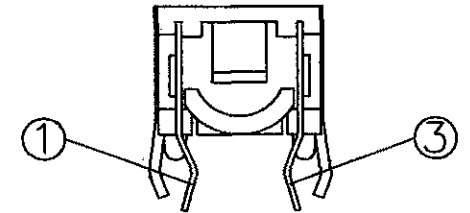
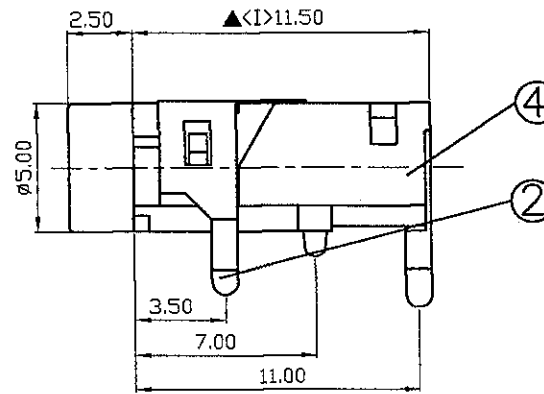
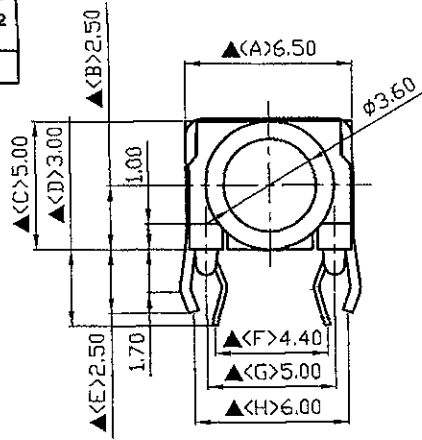


SCHEMATIC		
Code No:	X	



Pin Hole Layout  
(Jack Bottom View)

4.	Housing	PBT+15%G	1	Black Color
3.	Ring Spring	0.2T Phosphor Bronze	1	Silver Plated
2.	Tip Spring	0.4T Phosphor Bronze	1	Silver Plated
1.	Earth Terminal	0.2T Phosphor Bronze	1	Silver Plated
NO.	Description	Material	Q'TY	Finish

DATE	DWN	CHKD
12.07.2011		

PART NAME : 3.5φ PHONE JACK

TOLERANCE : ±0.3mm UNLESS OTHERWISE SPECIFIED

UNIT:mm

RoHS  
Compliant

SPECIFICATIONS:

Contact Resistance : 30mΩ max  
 Insulation Resistance : 100MΩ min. at DC 500V  
 Dielectric Withstanding Voltage: AC 500V for one minute  
 Remark: ▲: The Most Important Dimension

**SHOGYO INTERNATIONAL CORP.**

# SCJ370P00XS0B00G