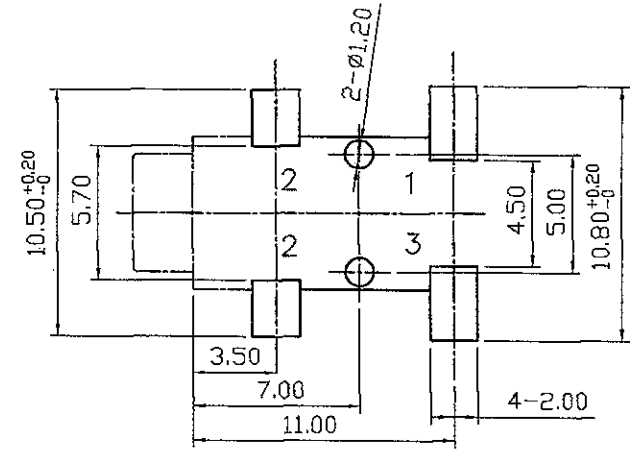
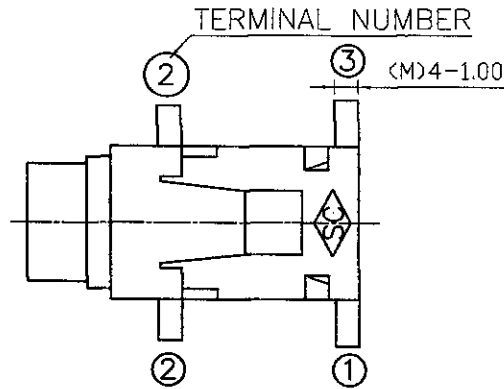
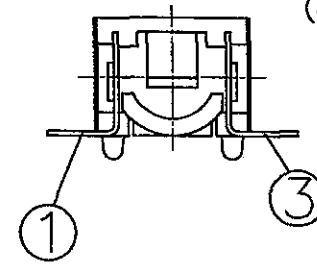
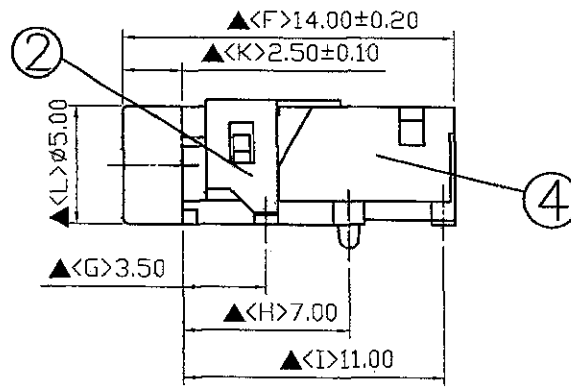
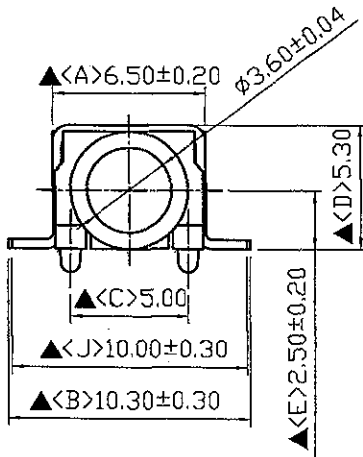


SCHEMATIC	
MODEL NO	X



Pin Hole Layout
(Jack Bottom View)



4.	Housing	PA9T	1	Black Color
3.	Ring Spring	0.2T Phosphor Bronze	1	Silver Plated
2.	Tip Spring	0.4T Phosphor Bronze	1	Silver Plated
1.	Earth Terminal	0.2T Phosphor Bronze	1	Silver Plated
NO.	Description	Material	QTY	Finish

DATE	DWN	CHKD
04.02.2011		

PART NAME : 3.5φ PHONE JACK

TOLERANCE : ±0.3mm UNLESS OTHERWISE SPECIFIED

UNIT:mm

RoHS
Compliant

SPECIFICATIONS:

Contact Resistance : 30mΩ max
 Insulation Resistance : 100MΩ min. at DC 500V
 Dielectric Withstand Voltage : AC 500V for one minute
 Remark : ▲ : The Most Important Dimension

SHOGYO INTERNATIONAL CORP.

SCJ371P00XS0B00G