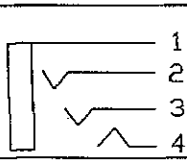
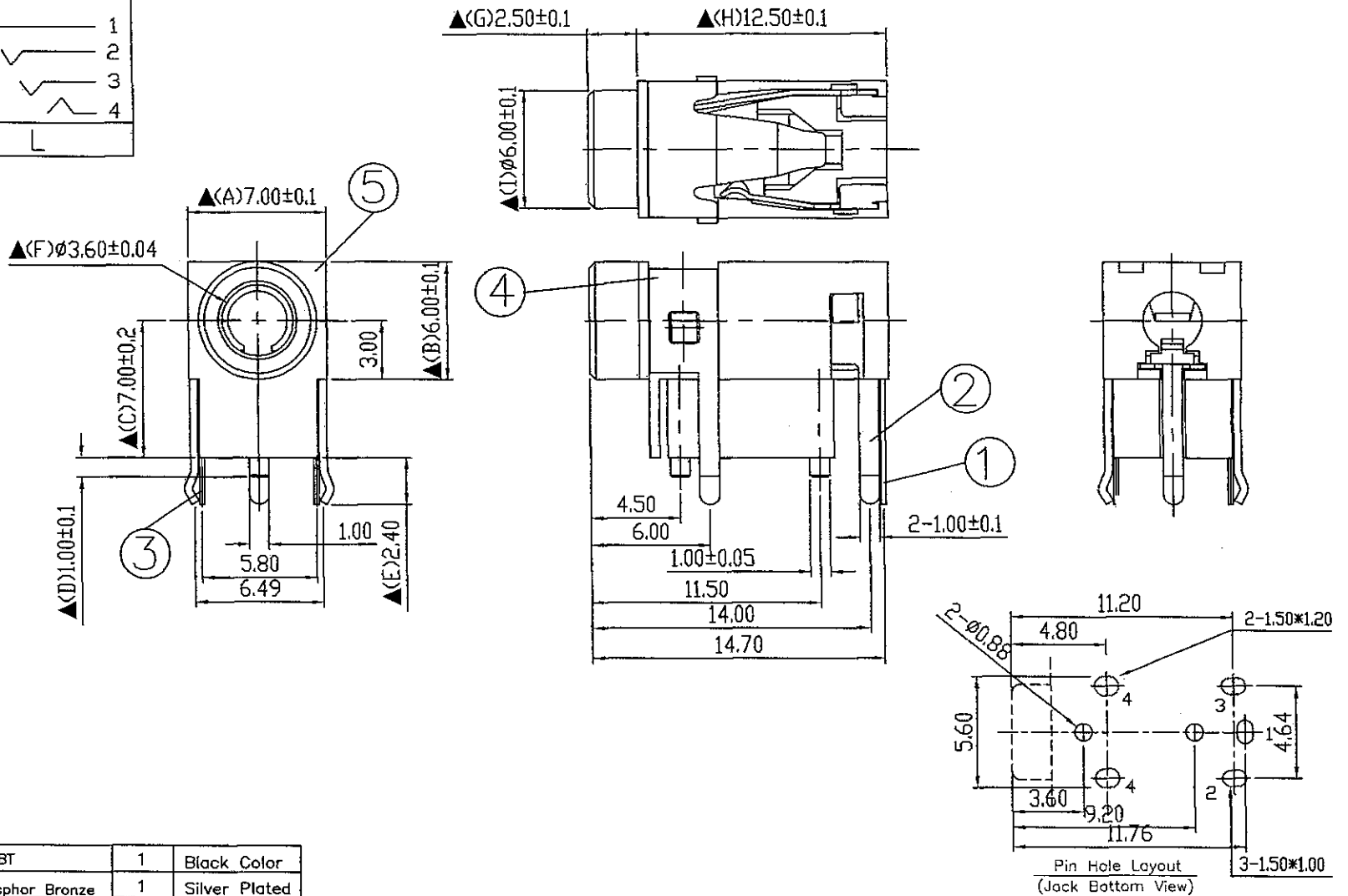


Schematic	
MODEL NO	L





5	Housing	PBT	1	Black Color
4	Break Terminal	0.4T Phosphor Bronze	1	Silver Plated
3	Tip Spring	0.25T Phosphor Bronze	1	Silver Plated
2	Ring Spring	0.25T Phosphor Bronze	1	Silver Plated
1	Earth Terminal	0.25T Phosphor Bronze	1	Silver Plated
NO	Description	Material	Q'TY	Finish

DATE	DWN	CHKD
10.11.2012		

PART NAME : 3.5φ PHONE JACK

TOLERANCE : ±0.3mm UNLESS OTHERWISE SPECIFIED

UNIT:mm  

RoHS  
Compliant

SPECIFICATIONS:

Contact Resistance : 30mΩ max  
 Insulation Resistance : 100MΩ min. at DC 500V  
 Dielectric Withstand Voltage : AC 500V for one minute  
 Remark: ▲: The Most Important Dimension

**SHOGYO INTERNATIONAL CORP.**

# SCJ372P00LS0B00G