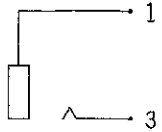
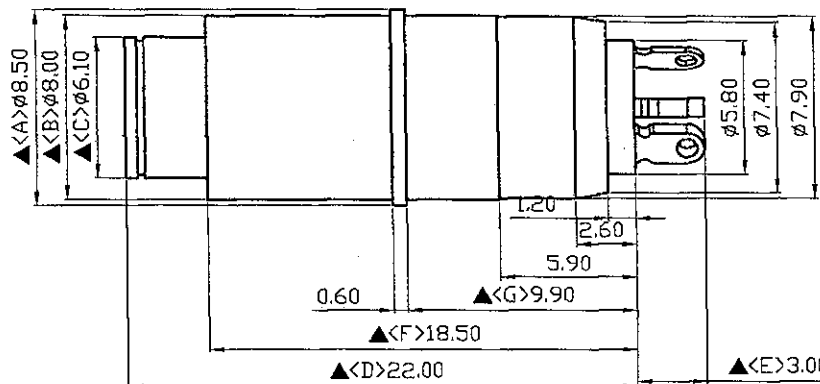
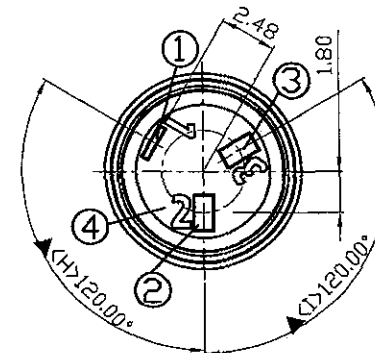
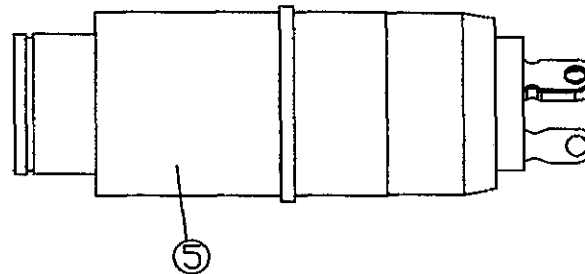
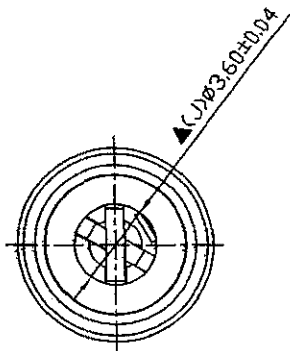


X



Z



| 5. | Metal Shell | Brass | 1 | Nickel Plated |
|-----|----------------|-----------------------|------|---------------|
| 4. | Housing | PBT+30%G | 1 | Black Color |
| 3. | Tip Spring | 0.8T Bronze | 1 | Silver Plated |
| 2. | Ring Spring | 0.8T Bronze | 1 | Silver Plated |
| 1. | Erath Terminal | 0.25T Phosphor Bronze | 1 | Silver Plated |
| NO. | Description | Material | Q'TY | Finish |

| | | | |
|--|------------|-----|------|
| | DATE | DWN | CHKD |
| | 10.10.2012 | | |

| | |
|---|---------|
| PART NAME: 3.5φ PHONE JACK | |
| TOLERANCE : ±0.3mm UNLESS OTHERWISE SPECIFIED | UNIT:mm |

RoHS
Compliant

SPECIFICATIONS:
 Contact Resistance : 30mΩ max
 Insulation Resistance : 100MΩ min. at DC 500V
 Dielectric Withstanding Voltage: AC 500V for one minute
 Remark: ▲: The Most Important Dimension

SHOGYO INTERNATIONAL CORP.
SCJ394M0N(*)S0000G