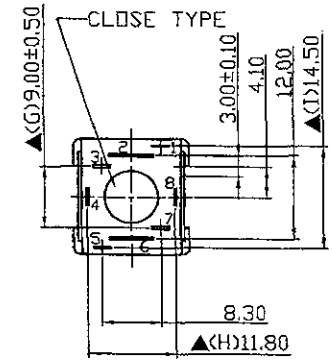
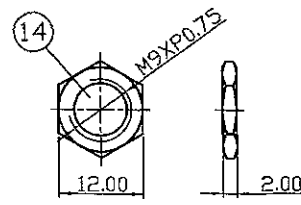


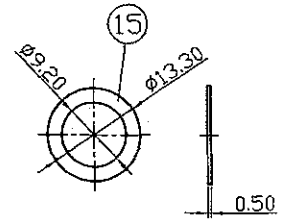
M9XP0.75 METRIC THREAD
WITH STOPPER



15.	Washer	0.5T Steel	1	Nickel Plated
14.	Nut	2.0T Steel	1	Nickel Plated
13.	Insulator	POM	2	Ivory Color
12.	Insulator	Red Vulcanited Fibre	1	Red Color
11.	Barrel(W/Thread)	Brass	1	Nickel Plated
10.	Cover	0.5T Steel	1	Nickel Plated
9.	Housing	POM	1	Black Color
8.	Ring Spring	0.35T Phosphor Bronze	1	Silver Plated
7.	Transfer Terminal	0.3T Brass	1	Silver Plated
6.	Break Terminal	0.35T Phosphor Bronze	1	Silver Plated
5.	Make Terminal	0.2T Phosphor Bronze	1	Silver Plated
4.	Tip Spring	0.35T Phosphor Bronze	1	Silver Plated
3.	Transfer Terminal	0.4T Brass	1	Silver Plated
2.	Break Terminal	0.35T Phosphor Bronze	1	Silver Plated
1.	Make Terminal	0.2T Phosphor Bronze	1	Silver Plated
NO.	Description	Material	Q'TY	Finish



NUT



WASHER

RoHS
Compliant

SPECIFICATIONS:
 Contact Resistance : 30mΩ max
 Insulation Resistance : 100MΩ min.. at DC 500V
 Dielectric Withstanding Voltage: AC 500V for one minute
 Remark: ▲: The Most Important Dimension

DATE	DWN	CHKD
10.12.2011		

PART NAME : 6.3φ PHONE JACK

TOLERANCE : ±0.3mm UNLESS OTHERWISE SPECIFIED

UNIT:mm

SHOGYO INTERNATIONAL CORP.
 # SCJ610M2N(*)S3B22G