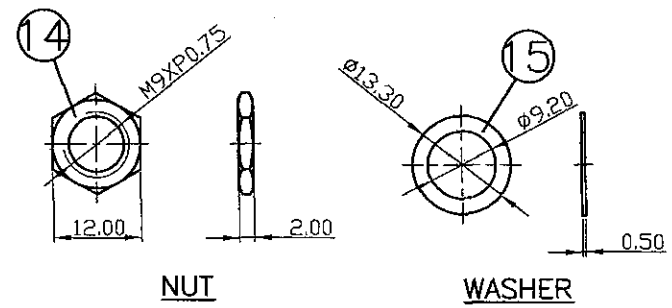


15	Washer	0.5T Steel	1	Nickel Plated
14	Nut	2.0T Steel	1	Nickel Plated
13	Insulator	POM	2	Ivory Color
12	Insulator	Red Vulcanited Fibre	1	Red Color
11	Barrel(W/Thread)	Brass	1	Nickel Plated
10	Cover	0.5T Steel	1	Nickel Plated
9	Housing	POM	1	Black Color
8	Ring Spring	0.35T Phosphor Bronze	1	Silver Plated
7	Transfer Terminal	0.3T Brass	1	Silver Plated
6	Break Terminal	0.35T Phosphor Bronze	1	Silver Plated
5	Make Terminal	0.2T Phosphor Bronze	1	Silver Plated
4	Tip Spring	0.35T Phosphor Bronze	1	Silver Plated
3	Transfer Terminal	0.4T Brass	1	Silver Plated
2	Break Terminal	0.35T Phosphor Bronze	1	Silver Plated
1	Make Terminal	0.2T Phosphor Bronze	1	Silver Plated
NO.	Description	Material	QTY	Finish

M9XP0.75 METRIC THREAD
WITH STOPPER



		DATE	DWN	CHKD
		10.12.2011		
PART NAME : 6.3φ PHONE JACK				
TOLERANCE : ±0.3mm UNLESS OTHERWISE SPECIFIED			UNIT:mm	

RoHS Compliant

SPECIFICATIONS:
 Contact Resistance : 30mΩ max
 Insulation Resistance : 100MΩ min. at DC 500V
 Dielectric Withstanding Voltage: AC 500V for one minute
 Remark ▲: The Most Important Dimension

SHOGYO INTERNATIONAL CORP.
 # SCJ614M3N(*)S3B12G