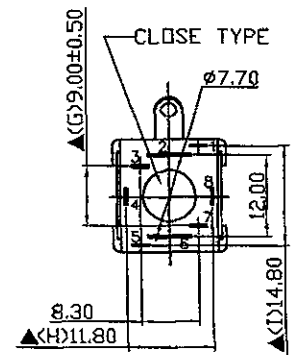
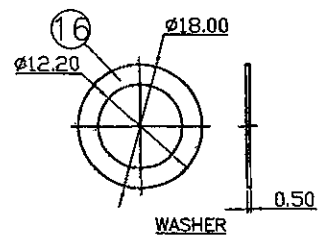
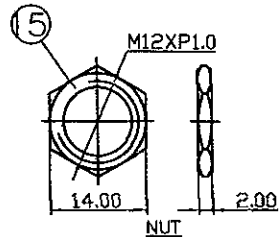


M12XP1.0 METRIC THREAD



16	Washer	0.5T Steel	1	Nickel Plated
15	Nut	2.0T Steel	1	Nickel Plated
14	Insulator	POM	2	Ivory Color
13	Insulator	Red Vulcanited Fibre	1	Red Color
12	Bushing	Brass	1	Nickel Plated
11	Barre(W/Thread)	PC	1	Black Color
10	Cover	0.5T Steel	1	Nickel Plated
9	Housing	POM	1	Black Color
8	Ring Spring	0.35T Phosphor Bronze	1	Silver Plated
7	Transfer Terminal	0.4T Brass	1	Silver Plated
6	Break Terminal	0.35T Phosphor Bronze	1	Silver Plated
5	Make Terminal	0.2T Phosphor Bronze	1	Silver Plated
4	Tip Spring	0.35T Phosphor Bronze	1	Silver Plated
3	Transfer Terminal	0.4T Brass	1	Silver Plated
2	Break Terminal	0.35T Phosphor Bronze	1	Silver Plated
1	Make Terminal	0.2T Phosphor Bronze	1	Silver Plated
NO.	Description	Material	Q'TY	Finish



DATE	DWN	CHKD
10.12.2011		

SPECIFICATIONS:
 Contact Resistance : 30m Ω max
 Insulation Resistance : 100M Ω min. at DC 500V
 Dielectric Withstanding Voltage: AC 500V for one minute
 Remark: \blacktriangle : The Most Important Dimension

RoHS Compliant

PART NAME : 6.3 ϕ PHONE JACK

TOLERANCE : $\pm 0.3\text{mm}$ UNLESS OTHERWISE SPECIFIED

UNIT: mm \oplus \ominus

SHOGYO INTERNATIONAL CORP.

SCJ618R3N(*)S1B21G