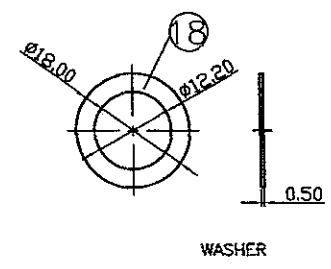
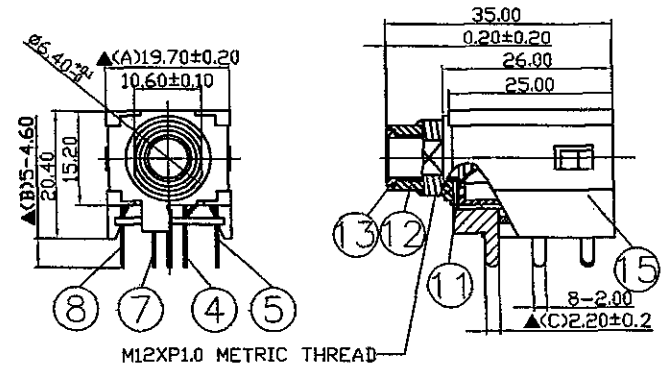
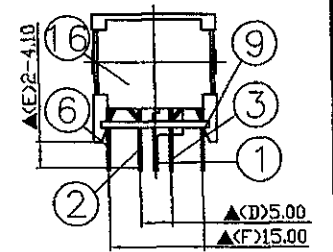
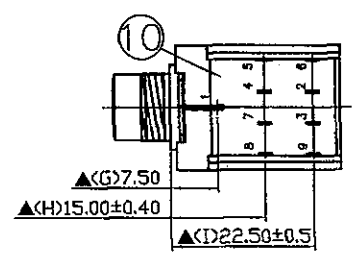


18.	Washer	0.5T Steel	1	Nickel Plated
17.	Nut	2.0T Steel	1	Nickel Plated
16.	Cover	POM	1	Black Color
15.	Housing	POM	1	Black Color
14.	Insulator	POM	2	Black Color
13.	Bushing	Brass	1	Nickel Plated
12.	Barre	PC	1	Black Color
11.	Earth Spring	0.2T Phosphor Bronze	1	Nickel Plated
10.	Guide Plate	1.0T Bakelite	1	Natural
9.	Transfer Terminal	0.35T Phosphor Bronze	1	Silver Plated
8.	Break Terminal	0.4T Brass	1	Silver Plated
7.	Transfer Terminal	0.35T Phosphor Bronze	1	Silver Plated
6.	Break Terminal	0.4T Brass	1	Silver Plated
5.	Transfer Terminal	0.35T Phosphor Bronze	1	Silver Plated
4.	Break Terminal	0.4T Brass	1	Silver Plated
3.	Ring Terminal	0.25T Phosphor Bronze	1	Silver Plated
2.	Tip Terminal	0.35T Phosphor Bronze	1	Silver Plated
1.	Sleeve Terminal	0.5T Steel	1	Nickel Plated
NO.	Description	Material	Q'TY	Finish

NUT



WASHER



Pin Hole Layout
(Jack Bottom View)

SPECIFICATIONS:
 Contact Resistance : 30mΩ max
 Insulation Resistance : 100MΩ min. at DC 500V
 Dielectric Withstand Voltage : AC 500V for one minute
 Remark: ▲: The Most Important Dimension

RoHS
Compliant

DATE	DWN	CHKD
10.12.2011		

PART NAME : 6.3φ PHONE JACK

TOLERANCE : ±0.3mm UNLESS OTHERWISE SPECIFIED UNIT:mm

SHOGYO INTERNATIONAL CORP.
 # SCJ628R0N(*)S1B00G