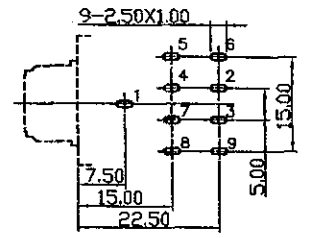
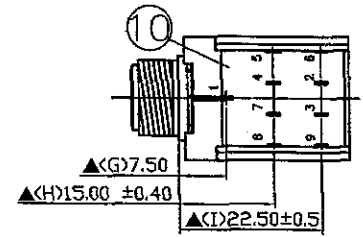
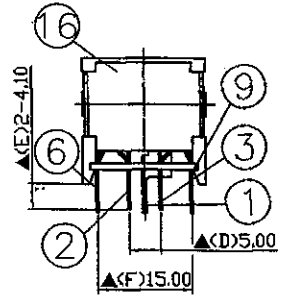
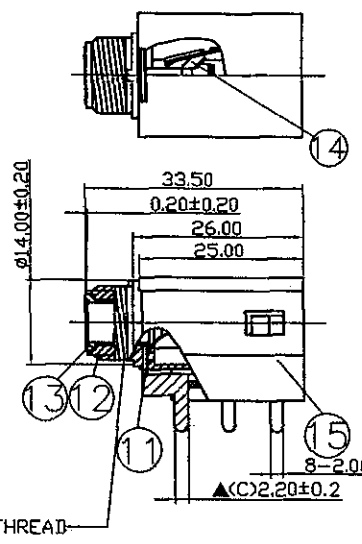
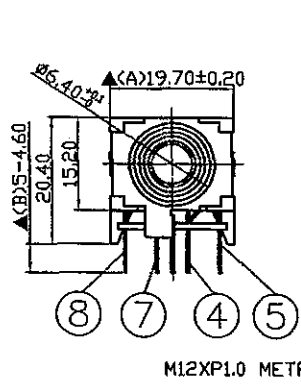
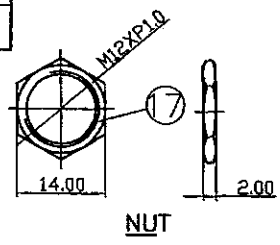


| 18. | Washer            | 0.5T Steel            | 1    | Nickel Plated |
|-----|-------------------|-----------------------|------|---------------|
| 17. | Nut               | 2.0T Steel            | 1    | Nickel Plated |
| 16. | Cover             | POM                   | 1    | Black Color   |
| 15. | Housing           | POM                   | 1    | Black Color   |
| 14. | Insulator         | POM                   | 2    | Black Color   |
| 13. | Bushing           | Brass                 | 1    | Nickel Plated |
| 12. | Barre             | PC                    | 1    | Black Color   |
| 11. | Earth Spring      | 0.2T Phosphor Bronze  | 1    | Nickel Plated |
| 10. | Guide Plate       | 1.0T Bakelite         | 1    | Natural       |
| 9.  | Make Terminal     | 0.2T Phosphor Bronze  | 1    | Silver Plated |
| 8.  | Transfer Terminal | 0.35T Phosphor Bronze | 1    | Silver Plated |
| 7.  | Break Terminal    | 0.4T Brass            | 1    | Silver Plated |
| 6.  | Make Terminal     | 0.2T Phosphor Bronze  | 1    | Silver Plated |
| 5.  | Transfer Terminal | 0.35T Phosphor Bronze | 1    | Silver Plated |
| 4.  | Break Terminal    | 0.4T Brass            | 1    | Silver Plated |
| 3.  | Ring Terminal     | 0.25T Phosphor Bronze | 1    | Silver Plated |
| 2.  | Tip Terminal      | 0.35T Phosphor Bronze | 1    | Silver Plated |
| 1.  | Sleeve Terminal   | 0.5T Steel            | 1    | Nickel Plated |
| NO. | Description       | Material              | Q'TY | Finish        |



Pin Hole Layout  
(Jack Bottom View)

RoHS  
Compliant

SPECIFICATIONS:  
 Contact Resistance : 30mΩ max  
 Insulation Resistance : 100MΩ min. at DC 500V  
 Dielectric Withstand Voltage : AC 500V for one minute  
 Remark: ▲: The Most Important Dimension

|            |     |      |
|------------|-----|------|
| DATE       | DWN | CHKD |
| 10.12.2011 |     |      |

PART NAME : 6.3φ PHONE JACK

TOLERANCE : ±0.3mm UNLESS OTHERWISE SPECIFIED

UNIT: mm

**SHOGYO INTERNATIONAL CORP.**

# SCJ628R3N(\*)S1B00G