

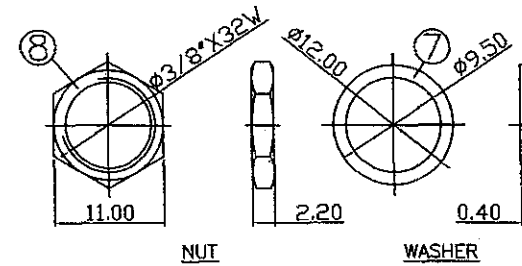
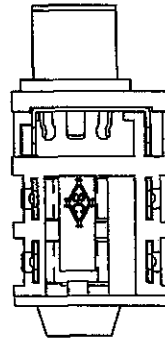
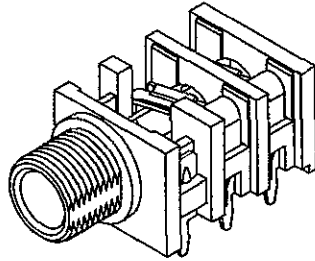
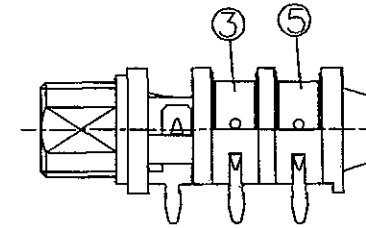
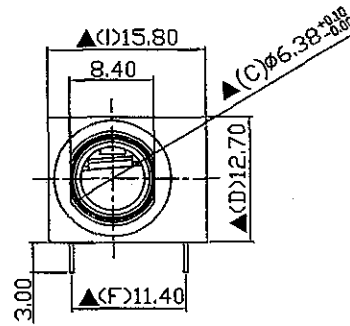
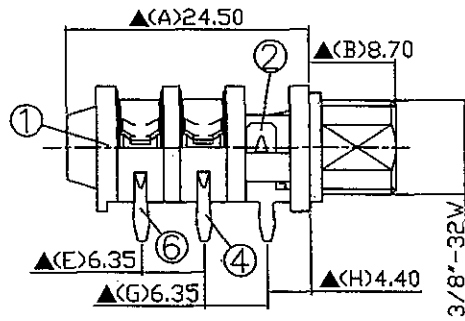
A

B

C

E

F



NUT

WASHER

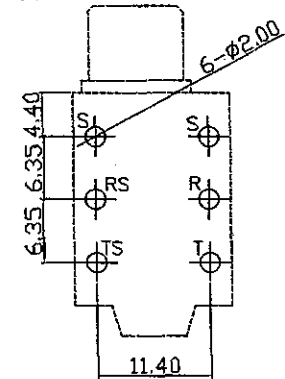
8.	Nut	2.2T Brass	1	Nickel Plated
7.	Washer	0.4T Brass	1	Nickel Plated
6.	Tip Shunt	0.4T Bronze	1	Silver Plated
5.	Tip Spring	0.4T Phosphor Bronze	1	Silver Plated
4.	Ring Shunt	0.4T Bronze	1	Silver Plated
3.	Ring Spring	0.4T Phosphor Bronze	1	Silver Plated
2.	Sleeve Shunt	0.4T Bronze	1	Silver Plated
1.	Housing	PA66	1	Black Color
NO.	Description	Material	Q'TY	Finish

## SPECIFICATIONS:

Contact Resistance : 30m $\Omega$  max  
 Insulation Resistance : 100M $\Omega$  min. at DC 500V  
 Dielectric Withstanding Voltage: AC 500V for one minute  
 Remark: ▲: The Most Important Dimension

RoHS  
Pb Free Process

DATE	DWN	CHKD
10.12.2011		

Pin Hole Layout  
(Jack Bottom View)PART NAME : 6.3 $\phi$  PHONE JACKTOLERANCE :  $\pm 0.3$ mm UNLESS OTHERWISE SPECIFIED

UNIT:mm

**SHOGYO INTERNATIONAL CORP.**

# SCJ636P20(\*)S4BP0G