

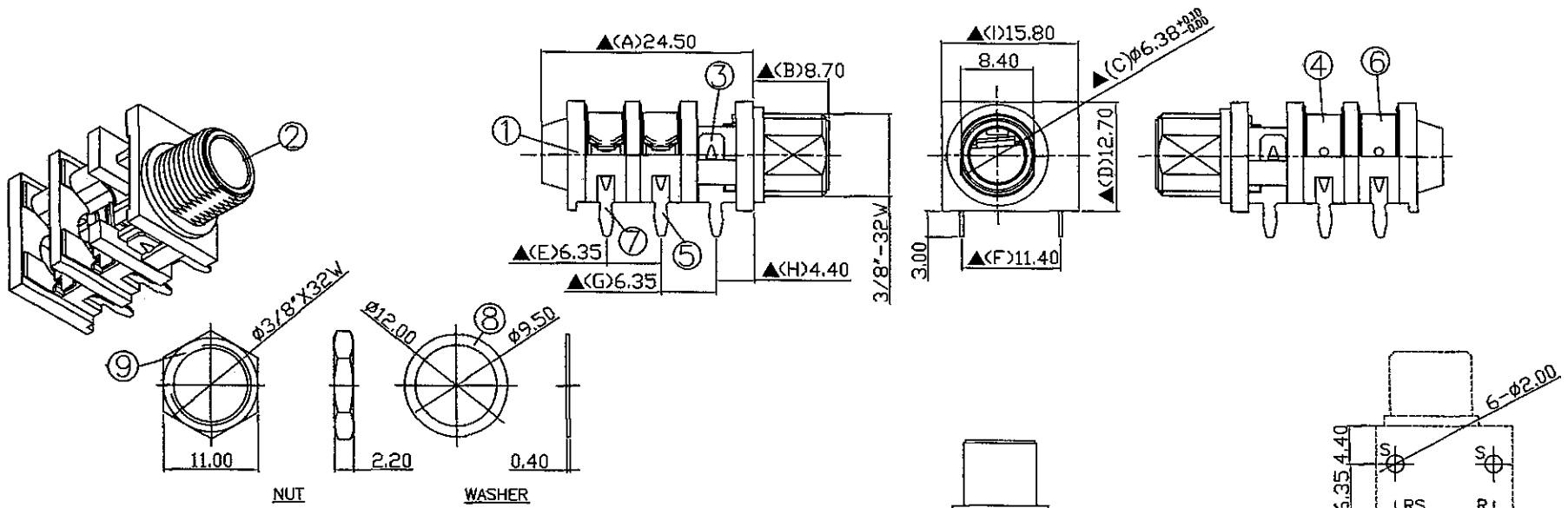
A

B

C

E

F



NUT

WASHER

NO.	Description	Material	Q'TY	Finish
9.	Nut	2.2T Brass	1	Nickel Plated
8.	Washer	0.4T Brass	1	Nickel Plated
7.	Tip Shunt	0.4T Bronze	1	Silver Plated
6.	Tip Spring	0.4T Phosphor Bronze	1	Silver Plated
5.	Ring Shunt	0.4T Bronze	1	Silver Plated
4.	Ring Spring	0.4T Phosphor Bronze	1	Silver Plated
3.	Sleeve Shunt	0.4T Bronze	1	Silver Plated
2.	Barrel	Brass	1	Nickel Plated
1.	Housing	PA66	1	Black Color

DATE	DWN	CHKD
10.12.2011		

PART NAME : 6.3ø PHONE JACK

TOLERANCE : ±0.3mm UNLESS OTHERWISE SPECIFIED

UNIT:mm

RoHS
Pb Free Process

SPECIFICATIONS:
 Contact Resistance : 30mΩ max
 Insulation Resistance : 100MΩ min. at DC 500V
 Dielectric Withstand Voltage : AC 500V for one minute
 Remark: ▲ : The Most Important Dimension

SHOGYO INTERNATIONAL CORP.

SCJ636R6N(*)S4BP0G