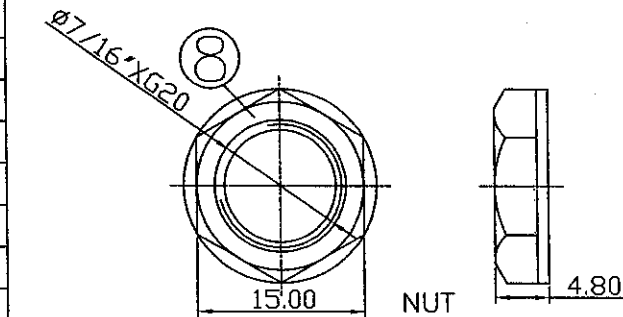


9.	Washer	PAPER SHEET t1.0	1	Red Color
8.	Nut-Hexagon	PA66	1	Black Color
7.	Housing	PA66	1	Black Color
6.	Tip Spring	0.4T Phosphor Bronze	1	Silver Plated
5.	Tip Shunt	0.4T Bronze	1	Silver Plated
4.	Ring Spring	0.4T Phosphor Bronze	1	Silver Plated
3.	Ring Shunt	0.4T Bronze	1	Silver Plated
2.	Sleeve Spring	0.4T Phosphor Bronze	1	Silver Plated
1.	Sleeve Shunt	0.4T Bronze	1	Silver Plated
NO.	Description	Material	Q'TY	Finish



DATE	DWN	CHKD
10.12.2011		

**SPECIFICATIONS:**

Contact Resistance : 30m $\Omega$  max  
 Insulation Resistance : 100M $\Omega$  min. at DC 500V  
 Dielectric Withstand Voltage : AC 500V for one minute  
 Remark: ▲: The Most Important Dimension

RoHS  
Pb Free Process

PART NAME : 6.3 $\phi$  PHONE JACK

TOLERANCE :  $\pm 0.3$ mm UNLESS OTHERWISE SPECIFIED

UNIT:mm

**SHOGYO INTERNATIONAL CORP.**

**# SCJ638P30(\*)S5BW0G**