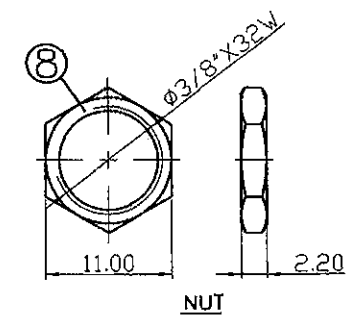
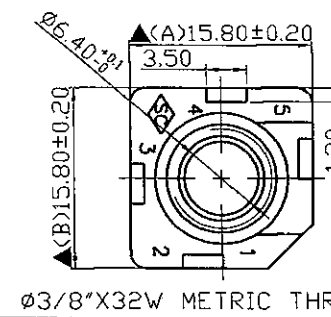


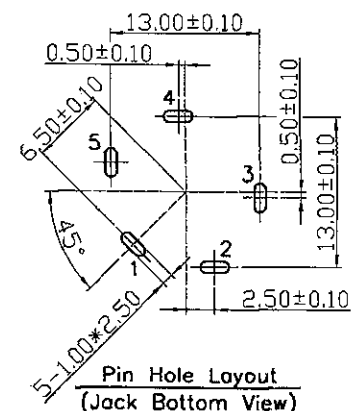
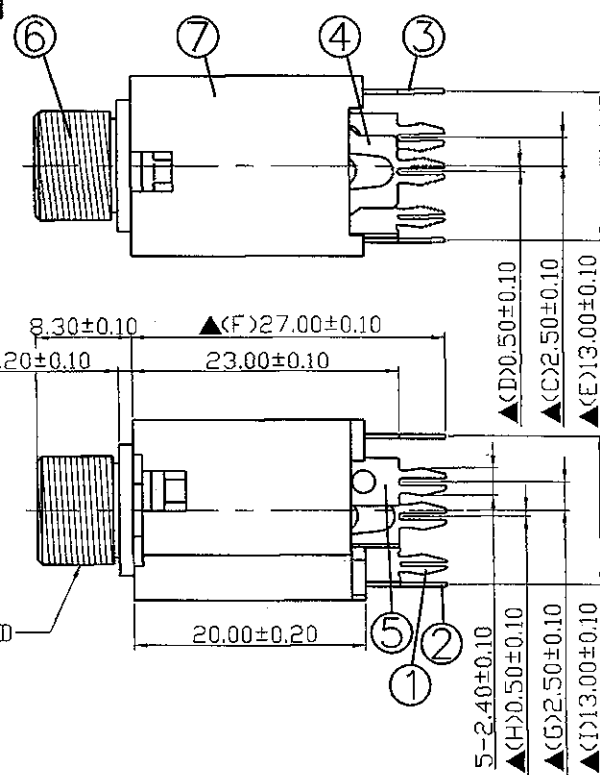
WASHER



NUT



3/8"X32W METRIC THREAD



9.	Washer	0.4T Brass	1	Nickel Plated
8.	Nut	2.2T Brass	1	Nickel Plated
7.	Housing	PBT	1	Black Color
6.	Barrel	Brass	1	Nickel Plated
5.	Ring Shunt	0.4T Brass	1	Silver Plated
4.	Ring Spring	0.4T Phosphor Bronze	1	Silver Plated
3.	Tip Spring	0.4T Phosphor Bronze	1	Silver Plated
2.	Tip Shunt	0.4T Brass	1	Silver Plated
1.	Earth Terminal	0.4T Brass	1	Silver Plated
NO.	Description	Material	Q'TY	Finish

DATE	DWN	CHKD
10.12.2011		

PART NAME : 6.3φ PHONE JACK

TOLERANCE : ±0.3mm UNLESS OTHERWISE SPECIFIED

UNIT: mm

RoHS Compliant

SPECIFICATIONS:

Contact Resistance : 30mΩ max

Insulation Resistance : 100MΩ min. at DC 500V

Dielectric Withstand Voltage : AC 500V for one minute

Remark: ▲: The Most Important Dimension

**SHOGYO INTERNATIONAL CORP.**

**# SCJ651M1N(\*)S4B00G**