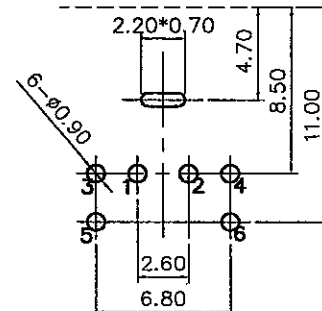
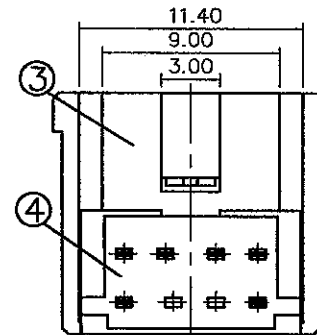


Arrangement of Contact



Pin Hole Layout
(Jack Bottom View)



4.	Cover	PBT UL 94 V-0	1	Black Color
3.	Housing	PBT UL 94 V-0	1	Black Color
2.	Terminal	0.2T phosphor Bronze	6	Gold Finish Plated Contact & Terminal Plated with Tin Over 50μ (Min.) Plated
1.	Inner Shield	0.35T Brass	1	Nickel Plating
NO.	Description	Material	Q'TY	Finish

RoHS Compliant For Reference
僅供參考

SPECIFICATIONS:
 Contact Resistance :30mΩ max
 Insulation Resistance :100MΩ min.at DC500V
 Dielectric Withstand Voltage:AC 500V for one minute
 Remark:▲:The Most Important Dimension

	DATE	DWN	CHKD	APVD	MANAGER
	10.19.2011				

PART NAME : MINI DIN JACK	VERSION:5.0
TOLERANCE:±0.3mm UNLESS OTHERWISE SPECIFIED UNIT:mm	SCALE:1/1

SHOGYO INTERNATIONAL CORP.

#SCN551S6GTNB000G