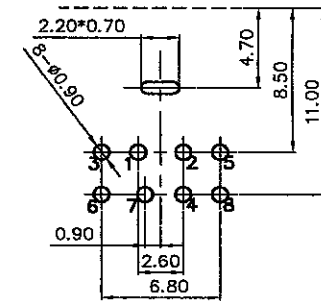
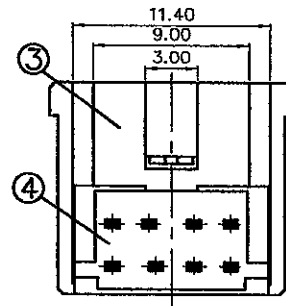


Arrangement of Contact



Pin Hole Layout
(Jack Bottom View)

4.	Cover	PBT UL 94 V-0	1	Black Color
3.	Housing	PBT UL 94 V-0	1	Black Color
2.	Terminal	0.2T Phosphor Bronze	8	Sold Flash Plated Contact & Terminated Plated With Tin Over 50(100%) Nickel
1.	Inner Shield	0.35T Brass	1	Nickel Plating
NO.	Description	Material	Q'TY	Finish

DATE	DWN	CHKD	APVD	MANAGER
10.19.2011				

PART NAME : MINI DIN JACK

VERSION:4.0

TOLERANCE:±0.3mm UNLESS OTHERWISE SPECIFIED UNIT:mm



SCALE:1/1

RoHS
Compliant

For Reference
僅供參考

SPECIFICATIONS:

Contact Resistance :30mΩ max
 Insulation Resistance :100MΩ min.at DC500V
 Dielectric Withstand Voltage:AC 500V for one minute
 Remark:▲:The Most Important Dimension

SHOGYO INTERNATIONAL CORP.

#SCN551S8GTNB000G