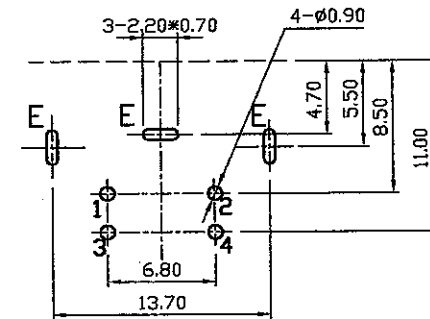
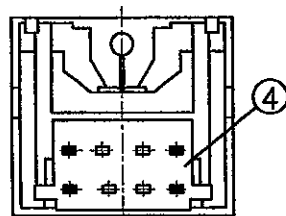


**Arrangement of Contact**



**Pin Hole Layout  
(Jack Bottom View)**

4.	Cover	PBT UL 94 V-0	1	Black Color
3.	Housing	PBT UL 94 V-0	1	Black Color
2.	Metal Shell	0.3T Brass	1	Nickel Plating
1.	Terminal	0.2T Phosphor Copper	4	Gold flash Plated Contact & Terminal Plated With Tin Over 50u"(Min) Nickel
NO.	Description	Material	QTY	Finish

DATE	DWN	CHKD	APVD	MANAGER
11.12.2007				

PART NAME : MINI DIN JACK	VERSION:5.0
TOLERANCE : ±0.3mm UNLESS OTHERWISE SPECIFIED	UNIT:mm   SCALE:1/1

RoHS Compliant For Reference  
僅供參考

**SPECIFICATIONS:**  
 Contact Resistance : 30mΩ max  
 Insulation Resistance : 100MΩ min. at DC 500V  
 Dielectric Withstanding Voltage: AC 500V for one minute  
 Remark: ▲: The Most Important Dimension

**SHOGYO INTERNATIONAL CORP.**

#SCN553S4GTNB010G