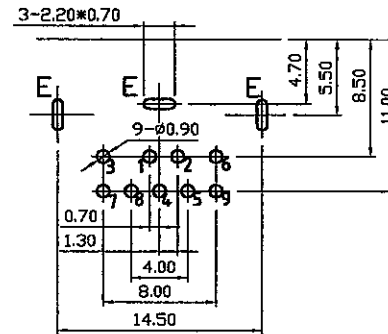
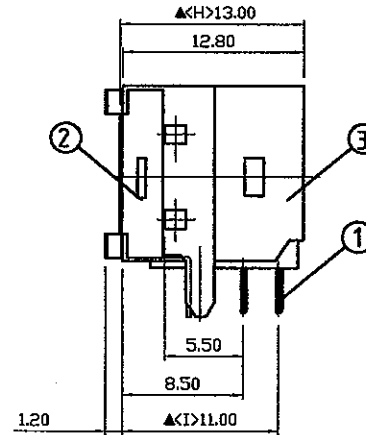
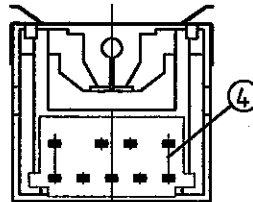
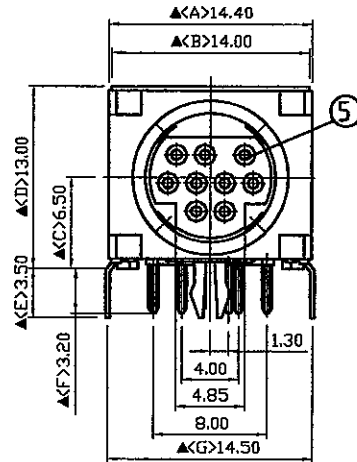


Arrangement of Contact



Pin Hole Layout
(Jack Bottom View)

5.	Housing	PBT UL 94 V-0	1	Black Color
4.	Cover	PBT UL 94 V-0	1	Black Color
3.	Metal Shell	0.3T Brass	1	Nickel Plating
2.	Panel Ground	0.2T Phosphor Bronze	1	Nickel Plating
1.	Terminal	0.2T Phosphor Bronze	9	Gold Flash plated Contact & Terminal Plated with Tin Over 50U* (Min.) Nickel
NO.	Description	Material	Q'TY	Finish

RoHS Compliant For Reference 僅供參考

SPECIFICATIONS:
 Contact Resistance : 30mΩ max
 Insulation Resistance : 100MΩ min. at DC 500V
 Dielectric Withstand Voltage : AC 500V for one minute
 Remark: ▲ : The Most Important Dimension

		DATE	DWN	CHKD	APVD	MANAGER
		12.12.2005				
PART NAME : MINI DIN JACK					VERSION:4.0	
TOLERANCE :±0.3mm UNLESS OTHERWISE SPECIFIED			UNIT:mm		SCALE:1/1	

SHOGYO INTERNATIONAL CORP.
#SCN556S9GTNB000G