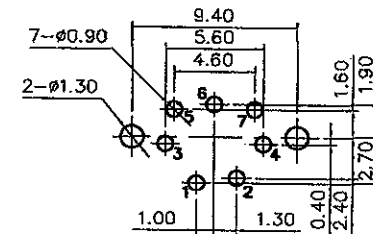
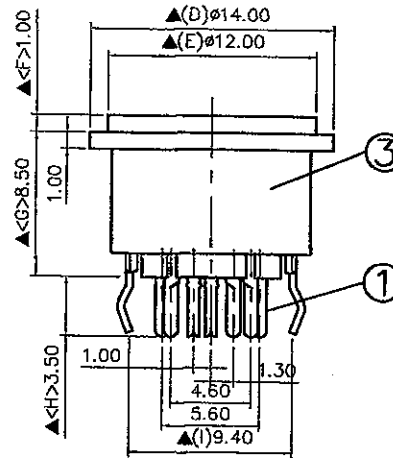


Arrangement of Contact



Pin Hole Layout
(Jack Bottom View)

| 3. | Housing | PBT | 1 | Black Color |
|-----|-------------|----------------------|------|----------------|
| 2. | Shell | 0.4T Brass | 8 | Nickel Plating |
| 1. | Terminal | 0.2T Phosphor Bronze | 1 | Silver Plating |
| NO. | Description | Material | Q'TY | Finish |

RoHS
Compliant

For Reference
僅供參考

SPECIFICATIONS:
 Contact Resistance : 30m Ω max
 Insulation Resistance : 100M Ω min. at DC 500V
 Dielectric Withstanding Voltage: AC 500V for one minute
 Remark: \blacktriangle : The Most Important Dimension

| | | | | |
|------------|-----|------|------|---------|
| DATE | DWN | CHKD | APVD | MANAGER |
| 10.19.2011 | | | | |

| | |
|---|--------------------|
| PART NAME :DIN JACK | VERSION:2.0 |
| TOLERANCE : ± 0.3 mm UNLESS OTHERWISE SPECIFIED | UNIT:mm SCALE:1/1 |

SHOGYO INTERNATIONAL CORP.
#SCN571S7NS00000G