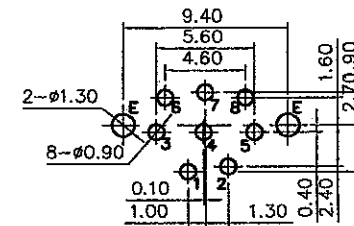
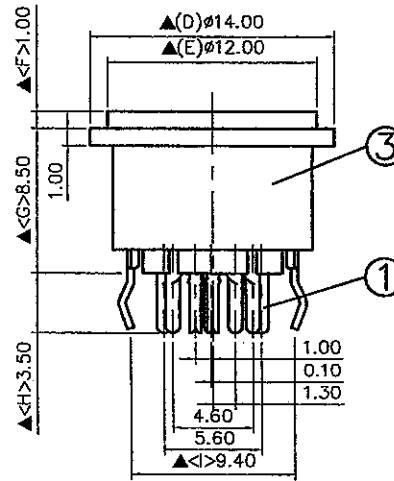


Arrangement of Contact



Pin Hole Layout  
(Jack Bottom View)

3.	Housing	PBT	1	Black Color
2.	Shell	0.4T Brass	8	Nickel Plating
1.	Terminal	0.2T Phosphor Bronze	1	Silver Plating
NO.	Description	Material	Q'TY	Finish

RoHS  
Compliant

For Reference  
僅供參考

SPECIFICATIONS:

Contact Resistance : 30mΩ max  
 Insulation Resistance : 100MΩ min. at DC 500V  
 Dielectric Withstanding Voltage: AC 500V for one minute  
 Remark: ▲: The Most Important Dimension

		DATE	DWN	CHKD	APVD	MANAGER
		10.19.2011				
PART NAME :DIN JACK			VERSION:2.0			
TOLERANCE :±0.3mm UNLESS OTHERWISE SPECIFIED			UNIT:mm		SCALE:1/1	

**SHOGYO INTERNATIONAL CORP.**

**#SCN571S8NS00000G**