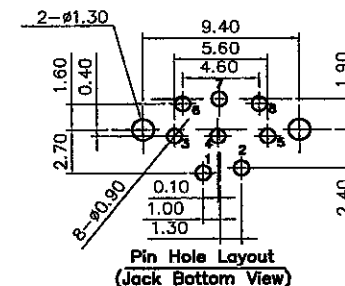
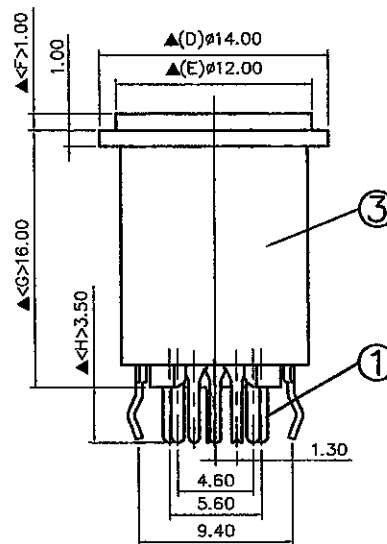


Arrangement of Contact



Pin Hole Layout
(Jack Bottom View)

| 3. | Housing | PBT | 1 | Black Color |
|-----|-------------|----------------------|------|----------------|
| 2. | Shell | 0.4T Brass | 1 | Nickel Plating |
| 1. | Terminal | 0.2T Phosphor Bronze | 8 | Silver Plating |
| NO. | Description | Material | Q'TY | Finish |

| | | | | | | |
|--|--|------------|---------|------|-------------|---------|
| | | DATE | DWN | CHKD | APVD | MANAGER |
| | | 10.19.2011 | | | | |
| PART NAME : DIN JACK | | | | | VERSION:4.0 | |
| TOLERANCE :±0.3mm UNLESS OTHERWISE SPECIFIED | | | UNIT:mm | | SCALE:1/1 | |

RoHS
Compliant

For Reference
僅供參考

SPECIFICATIONS:
 Contact Resistance : 30mΩ max
 Insulation Resistance : 100MΩ min. at DC 500V
 Dielectric Withstanding Voltage: AC 500V for one minute
 Remark: ▲: The Most Important Dimension

SHOGYO INTERNATIONAL CORP.

#SCN573S8NS0B003G