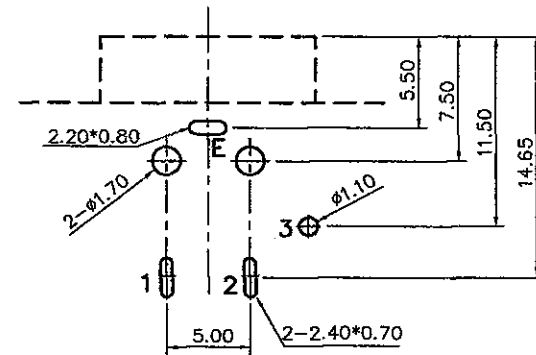


Arrangement of Contact



Pin Hole Layout
<Jack Bottom View>

5.	Terminal	0.2T Phosphor copper	1	Silver Plated
4.	Terminal	0.3T Brass	2	Silver Plated
3.	Inner shield	0.4T Brass	1	Nickel Plated
2.	Cover	PBT	1	Black Color
1.	Housing	PBT	1	Black Color
NO.	Description	Material	Q'TY	Finish

	DATE	DWN	CHKD	APVD	MANAGER
	05.16.2012				

PART NAME : DIN JACK	VERSION:5.0
TOLERANCE :±0.3mm UNLESS OTHERWISE SPECIFIED	UNIT:mm SCALE:1/1

RoHS Compliant For Reference 僅供參考

SPECIFICATIONS:
 Current Rating : Max 5.0A , 24V DC
 Contact Resistance : 30mΩ max
 Insulation Resistance : 100MΩ min. at DC 500V
 Dielectric Withstand Voltage : AC 500V for one minute
 Remark: ▲ : The Most Important Dimension

SHOGYO INTERNATIONAL CORP.

#SCN771S3NS0B001G