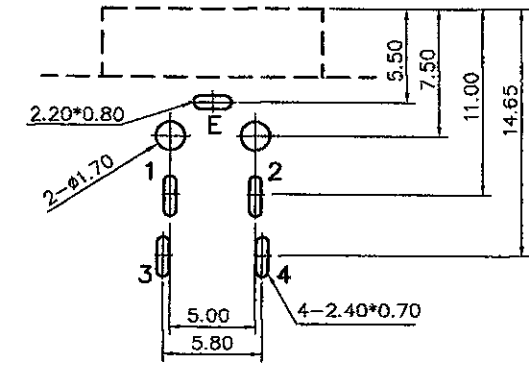
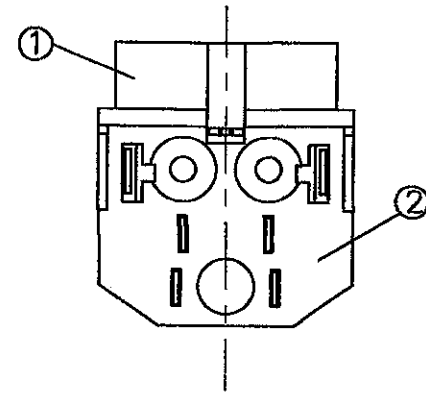


Arrangement of Contact



Pin Hole Layout
<Jack Bottom View>



| 4. | Terminal | 0.3T Brass | 4 | Silver Plated |
|-----|--------------|------------|------|---------------|
| 3. | Inner shield | 0.4T Brass | 1 | Nickel Plated |
| 2. | Cover | PBT | 1 | Black Color |
| 1. | Housing | PBT | 1 | Black Color |
| NO. | Description | Material | Q'TY | Finish |

| | | | | |
|------------|-----|------|------|---------|
| DATE | DWN | CHKD | APVD | MANAGER |
| 05.16.2012 | | | | |

| | |
|---|-----------------|
| PART NAME : DIN JACK | VERSION:4.0 |
| TOLERANCE : ±0.3mm UNLESS OTHERWISE SPECIFIED | UNIT:mm SCALE: |

RoHS Compliant For Reference 僅供參考
SPECIFICATIONS:
 Current Rating : Max 5.0A , 24V DC
 Contact Resistance : 30mΩ max
 Insulation Resistance : 100MΩ min. at DC 500V
 Dielectric Withstanding Voltage: AC 500V for one minute
 Remark: ▲ : The Most Important Dimension

SHOGYO INTERNATIONAL CORP.
#SCN771S4NS0B001G