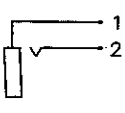
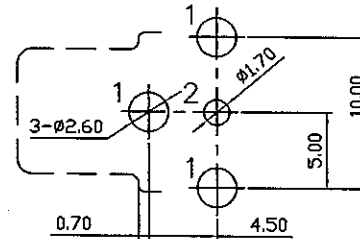
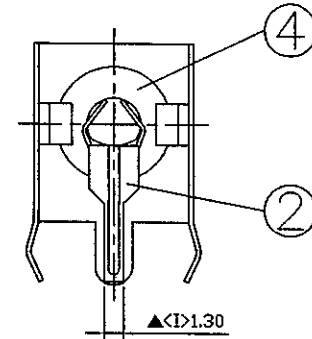
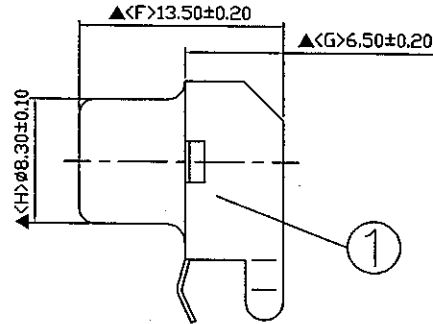
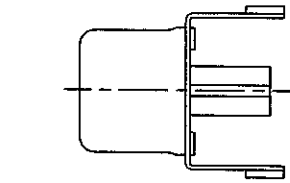
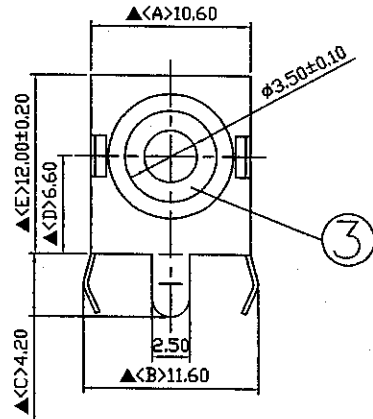


SCHEMATIC	
MODEL NO	U



Pin Hole Layout
(Jack Bottom View)

4.	Insulator	PBT	1	Black Color
3.	Insulator	Bakelite	1	Natural
2.	Terminal	0.25T Brass	1	Tin Plated
1.	Shell	0.3T Iron	1	Tin Plated
NO.	Description	Material	Q'TY	Finish

DATE	DWN	CHKD
12.08.2005		

PART NAME : PIN JACK

TOLERANCE: $\pm 0.3\text{mm}$ UNLESS OTHERWISE SPECIFIED UNIT: mm 

RoHS Compliant For Reference
僅供參考

SPECIFICATIONS:

Contact Resistance : $30\text{m}\Omega$ max
 Insulation Resistance : $100\text{M}\Omega$ min. at DC 500V
 Dielectric Withstanding Voltage: AC 500V for one minute
 Remark: \blacktriangle : The Most Important Dimension

SHOGYO INTERNATIONAL CORP.

SCP603U0T0T0000G