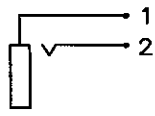
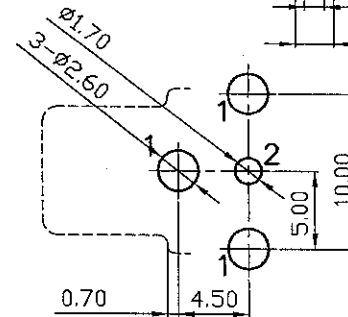
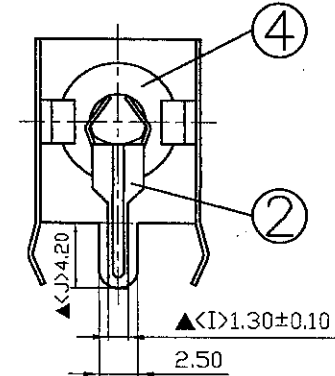
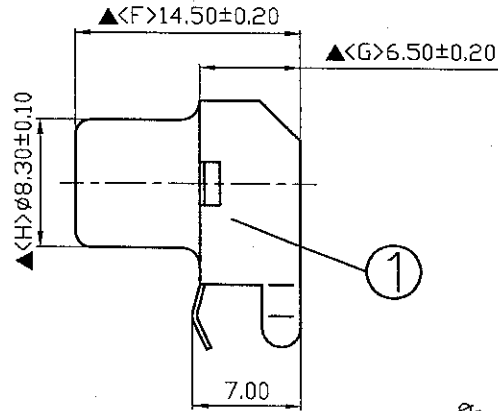
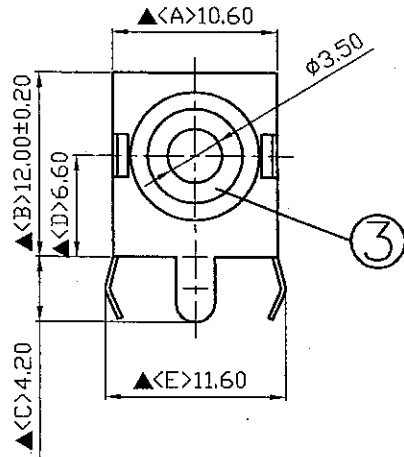




| | |
|-----------|---|
| SCHEMATIC |  |
| MODEL NO | U |



Pin Hole Layout
(Jack Bottom View)

| 4. | Insulator | PBT | 1 | Black Color |
|-----|-------------|-------------|------|-------------|
| 3. | Insulator | PBT | 1 | Black Color |
| 2. | Terminal | 0.25T Brass | 1 | Tin Plating |
| 1. | Shell | 0.3T Iron | 1 | Tin Plating |
| NO. | Description | Material | Q'TY | Finish |

| | | |
|------------|-----|------|
| DATE | DWN | CHKD |
| 08.04.2008 | | |

| | |
|--|--|
| PART NAME: PIN JACK | |
| TOLERANCE: $\pm 0.3\text{mm}$ UNLESS OTHERWISE SPECIFIED | UNIT: mm   |

RoHS Compliant For Reference
僅供參考

SPECIFICATIONS:
 Contact Resistance : $30\text{m}\Omega$ max
 Insulation Resistance : $100\text{M}\Omega$ min. at DC500V
 Dielectric Withstand Voltage: AC 500V for one minute
 Remark: ? : The Most Important Dimension

SHOGYO INTERNATIONAL CORP.
 # SCP604U0T1T0000G