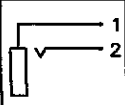
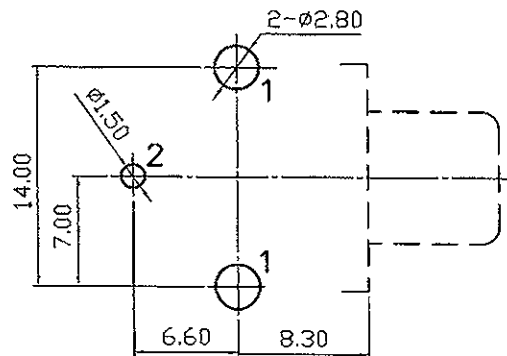
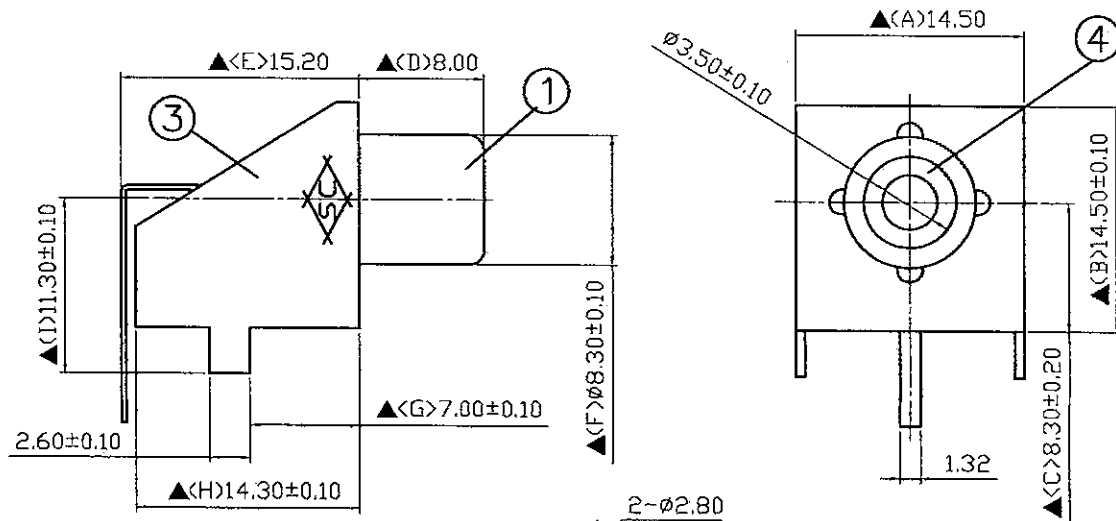
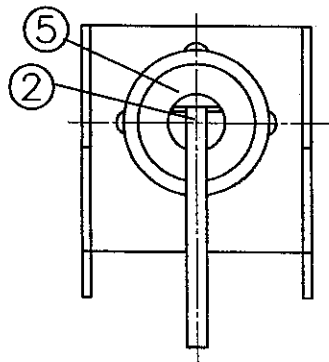


SCHEMATIC	
MODEL NO	U



Pin Hole Layout  
(Jack Bottom View)

5.	Insulator B	Ceramic	1	White Color
4.	Insulator A	Bakelite	1	Black Color
3.	Shell	0.6T Iron	1	Tin Plated
2.	Terminal	0.25T Brass	1	Tin Plated
1.	Bushing	0.3T Iron	1	Nickel Plated
NO.	Description	Material	Q'TY	Finish

DATE	DWN	CHKD
04.28.2009		

PART NAME:PIN JACK

TOLERANCE:±0.3mm UNLESS OTHERWISE SPECIFIED UNIT:mm



RoHS Compliant For Reference 僅供參考

SPECIFICATIONS:  
 Contact Resistance :30mΩ max  
 Insulation Resistance :100MΩ min.at DC500V  
 Dielectric Withstand Voltage:AC 500V for one minute  
 Remark:▲The Most Important Dimension

**SHOGYO INTERNATIONAL CORP.**

# SCP605UNT1T0000G