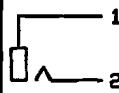
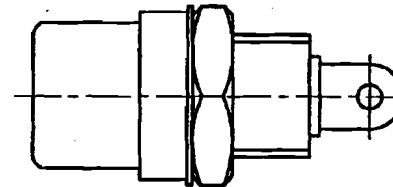
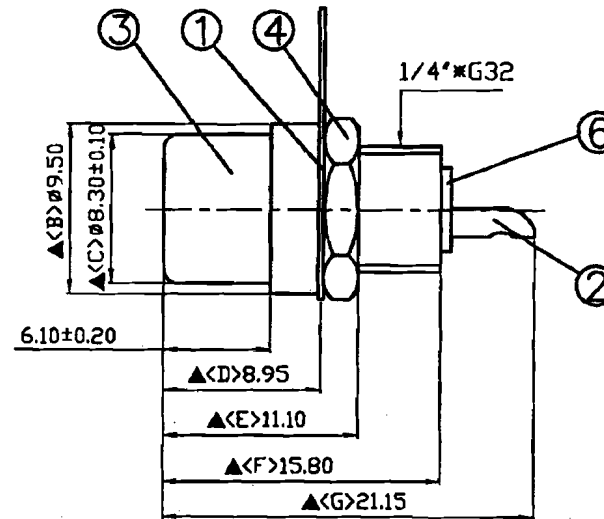
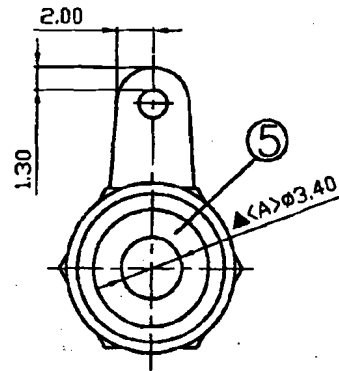


SCHEMATIC	
MODEL NO	U



6.	Bushing	PBT	1	Black Color
5.	Insulator	PBT	1	Black Color
4.	Nut	Brass	1	Nickel Plated
3.	Body Shell	Brass	1	Nickel Plated
2.	Terminal	0.25T Brass	1	Nickel Plated
1.	Earth Terminal	0.3T Brass	1	Nickel Plated
NO.	Description	Material	Q'TY	Finish

DATE	DWN	CHKD
08.27.2007	王一鳴	易愛琳

PART NAME: PIN JACK

TOLERANCE: $\pm 0.3\text{mm}$ UNLESS OTHERWISE SPECIFIED UNIT: mm



RoHS
Compliant

SPECIFICATIONS:
 Contact Resistance : 30m Ω max
 Insulation Resistance : 100M Ω min. at DC500V
 Dielectric Withstand Voltage: AC 500V for one minute
 Remark: ? : The Most Important Dimension

SHOGYO INTERNATIONAL CORP.

SCP607UNN100000G