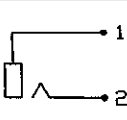
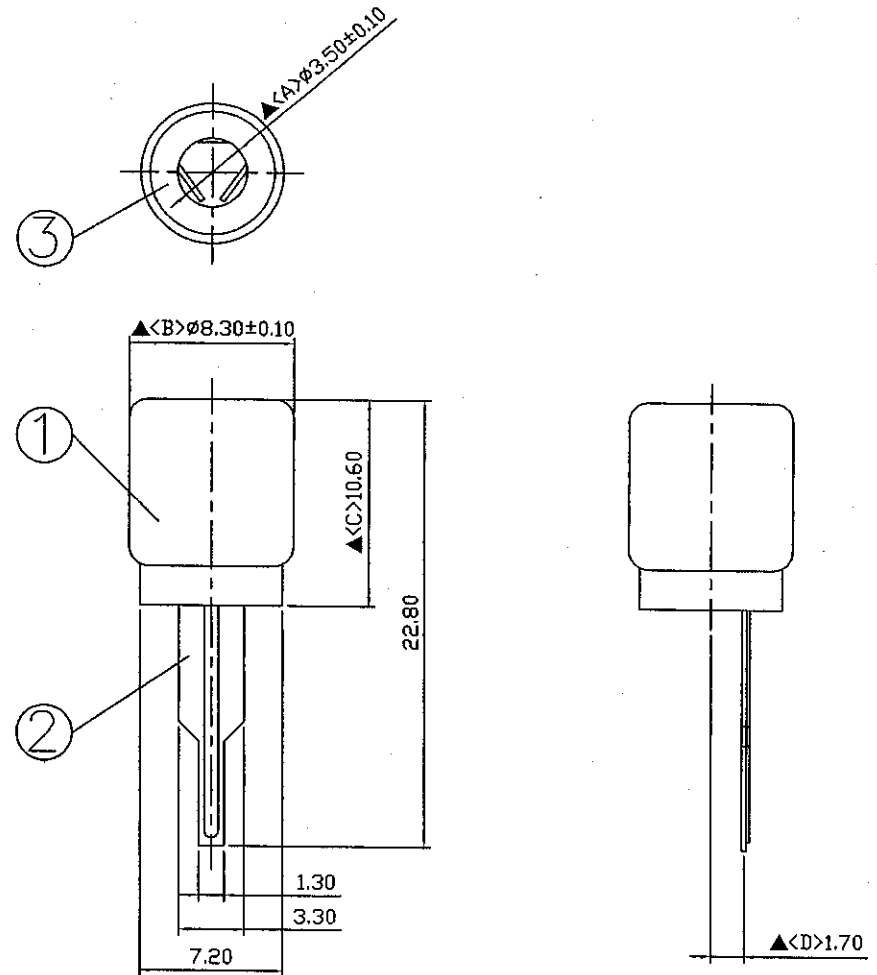


SCHEMATIC	
MODEL NO	U





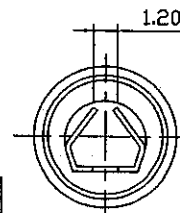
3.	Insulator	PBT	1	Black Color
2.	Terminal	0.25T Bronze	1	Tin Plating
1.	Barrel (Sleeve)	0.3T Steel	1	Nickel Plating
NO.	Description	Material	Q'TY	Finish

DATE	DWN	CHKD
12.09.2005		

PART NAME : PIN JACK

TOLERANCE : $\pm 0.3\text{mm}$ UNLESS OTHERWISE SPECIFIED

UNIT: mm  



RoHS Compliant For Reference 僅供參考

SPECIFICATIONS:
 Contact Resistance : 30mΩ max
 Insulation Resistance : 100MΩ min. at DC 500V
 Dielectric Withstand Voltage : AC 500V for one minute
 Remark: ▲: The Most Important Dimension

SHOGYO INTERNATIONAL CORP.

SCP608UNT100000G