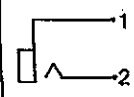
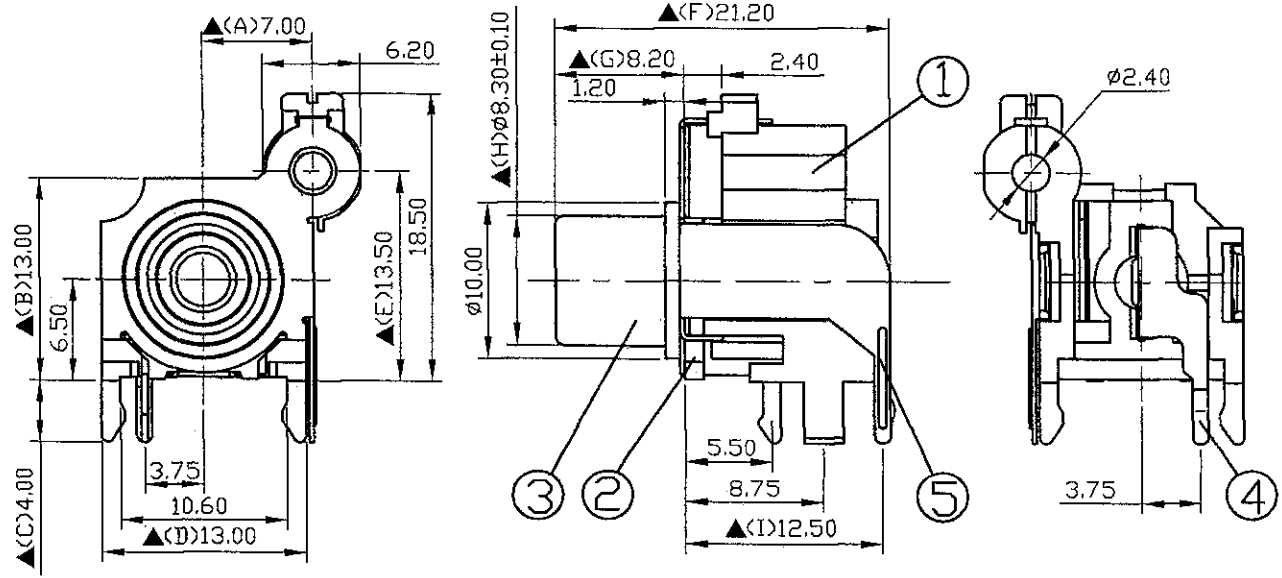
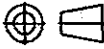


SCHEMATIC	
MODEL NO	U



5.	Earth1 Terminal	0.3T Bronze	1	Nickel Plated
4.	Terminal	0.4T Bronze	1	Silver Plated
3.	Outer Contact	0.4T Bronze	1	Nickel Plated
2.	Cover	ABS	1	Black Color
1.	Housing	ABS	1	Black Color
NO.	Description	Material	Q'TY	Finish

DATE	DWN	CHKD
09.05.2006		

PART NAME : PIN JACK	
TOLERANCE : ±0.3mm UNLESS OTHERWISE SPECIFIED	UNIT:mm 

Pin Hole Layout
(Jack Bottom View)

RoHS
Compliant

For Reference
僅供參考

SPECIFICATIONS:
 Contact Resistance : 30mΩ max
 Insulation Resistance : 100MΩ min. at DC 500V
 Dielectric Withstand Voltage : AC 500V for one minute
 Remark: ▲ : The Most Important Dimension

SHOGYO INTERNATIONAL CORP.

SCP618UNS1N0000G