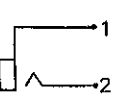
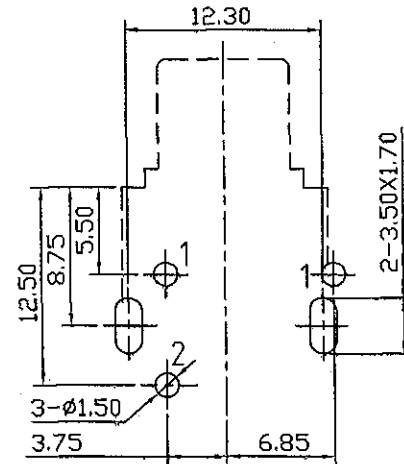
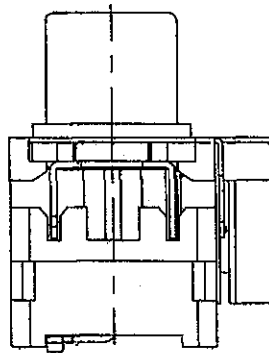
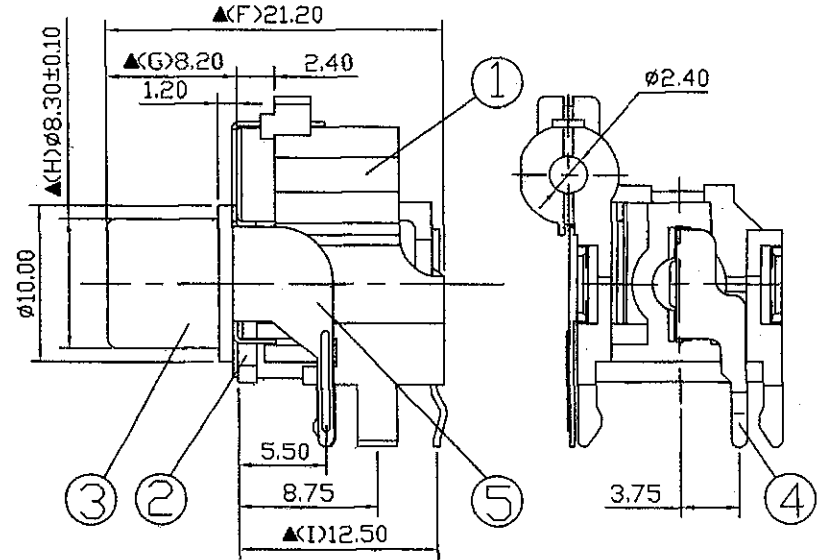
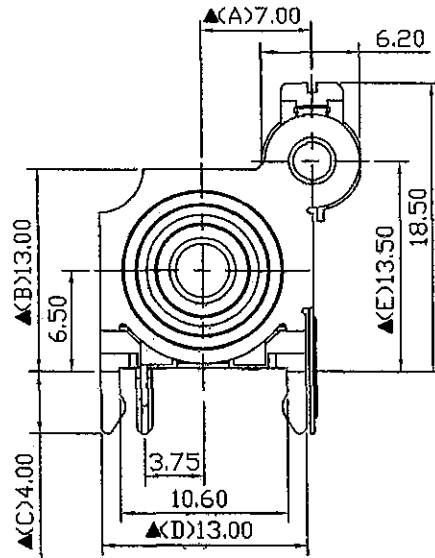


SCHEMATIC	
MODEL NO	U



Pin Hole Layout  
(Jack Bottom View)

RoHS  
Compliant

For Reference  
僅供參考


SPECIFICATIONS:  
 Contact Resistance : 30mΩ max  
 Insulation Resistance : 100MΩ min. at DC 500V  
 Dielectric Withstand Voltage : AC 500V for one minute  
 Remark: ▲: The Most Important Dimension

5.	Earth1 Terminal	0.3T Bronze	1	Nickel Plated
4.	Terminal	0.4T Bronze	1	Silver Plated
3.	Outer Contact	0.4T Bronze	1	Nickel Plated
2.	Cover	ABS	1	Black Color
1.	Housing	ABS	1	Black Color
NO.	Description	Material	Q'TY	Finish

DATE	DWN	CHKD
12.09.2005		

PART NAME : PIN JACK

TOLERANCE :±0.3mm UNLESS OTHERWISE SPECIFIED

UNIT:mm 

**SHOGYO INTERNATIONAL CORP.**

# SCP618UNS1NS000G