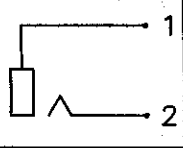
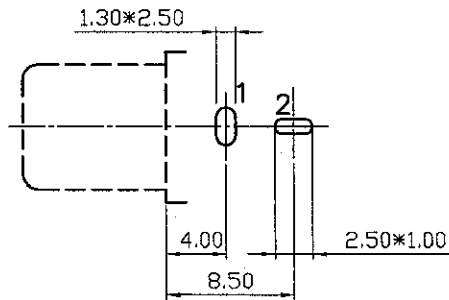
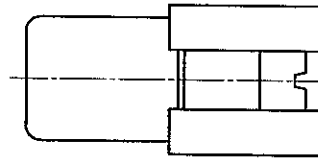
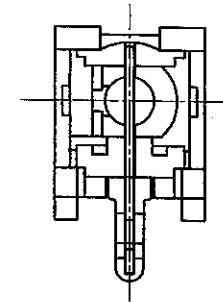
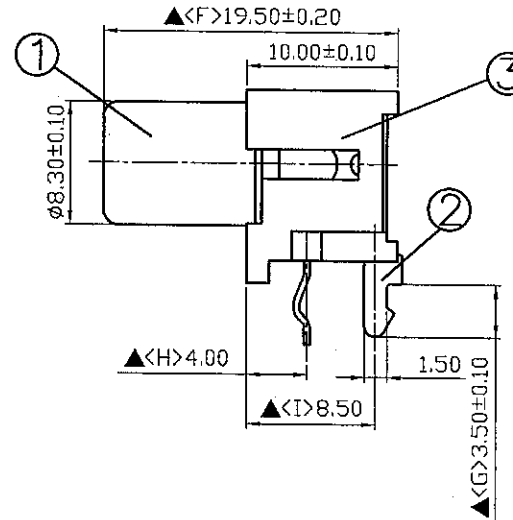
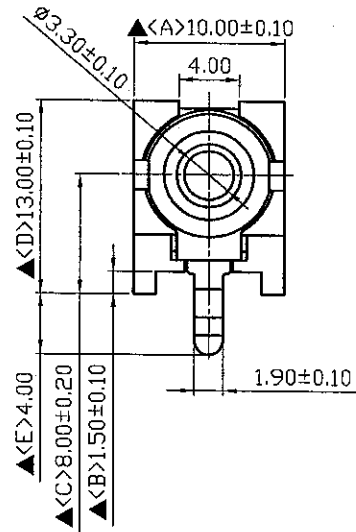


SCHEMATIC	
MODEL NO	U



Pin Hole Layout  
(Jack Bottom View)



NO.	Description	Material	Q'TY	Finish
3.	Housing	PBT	1	Black Color
2.	Pin	0.6T Brass	1	Silver Plated
1.	Earth Terminal	0.4T Brass	1	Nickel Plated

DATE	DWN	CHKD
08.11.2006		

PART NAME : PIN JACK

TOLERANCE :  $\pm 0.3\text{mm}$  UNLESS OTHERWISE SPECIFIED

UNIT: mm 

RoHS Compliant For Reference  
僅供參考

SPECIFICATIONS:

Contact Resistance : 30mΩ max  
 Insulation Resistance : 100MΩ min. at DC 500V  
 Dielectric Withstanding Voltage: AC 500V for one minute  
 Remark: ▲: The Most Important Dimension

**SHOGYO INTERNATIONAL CORP.**

# SCP624UNS100000G