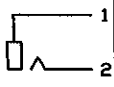
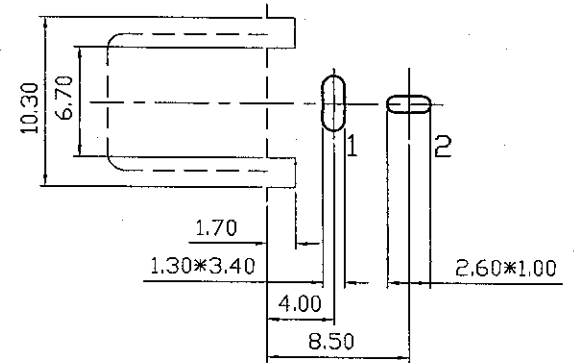
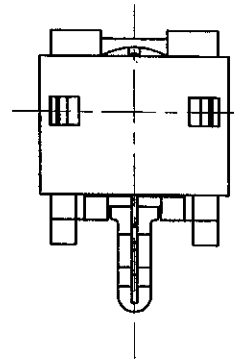
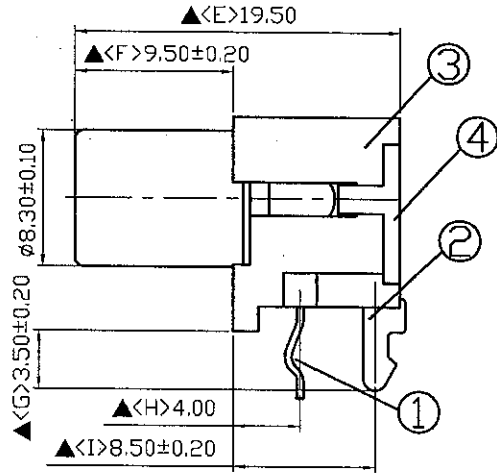
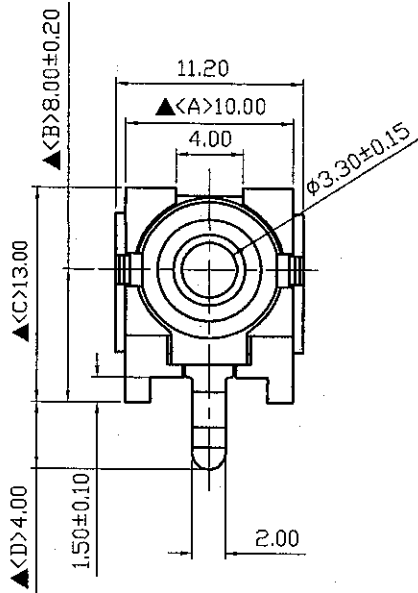
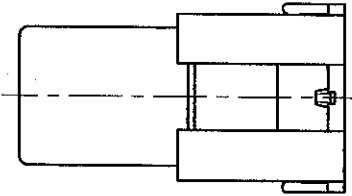


SCHEMATIC	
MODEL NO	U




Pin Hole Layout
(Jack Bottom View)

4.	Cover	ABS	1	Yellow Color
3.	Housing	PBT	1	Yellow Color
2.	Pin	0.6T Brass	1	Silver Plated
1.	Earth Terminal (Barrel)	0.4T Brass	1	Nickel Plated
NO.	Description	Material	Q'TY	Finish

DATE	DWN	CHKD
10.23.2008		

PART NAME : PIN JACK

TOLERANCE : ±0.3mm UNLESS OTHERWISE SPECIFIED

UNIT:mm 

RoHS Compliant For Reference
僅供參考

SPECIFICATIONS:
 Contact Resistance : 30mΩ max
 Insulation Resistance : 100MΩ min. at DC 500V
 Dielectric Withstanding Voltage: AC 500V for one minute
 Remark: ▲: The Most Important Dimension

SHOGYO INTERNATIONAL CORP.

#SCP624UNS40000CG