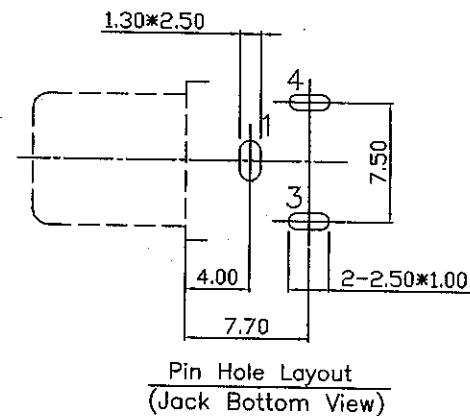
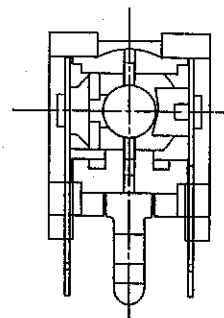
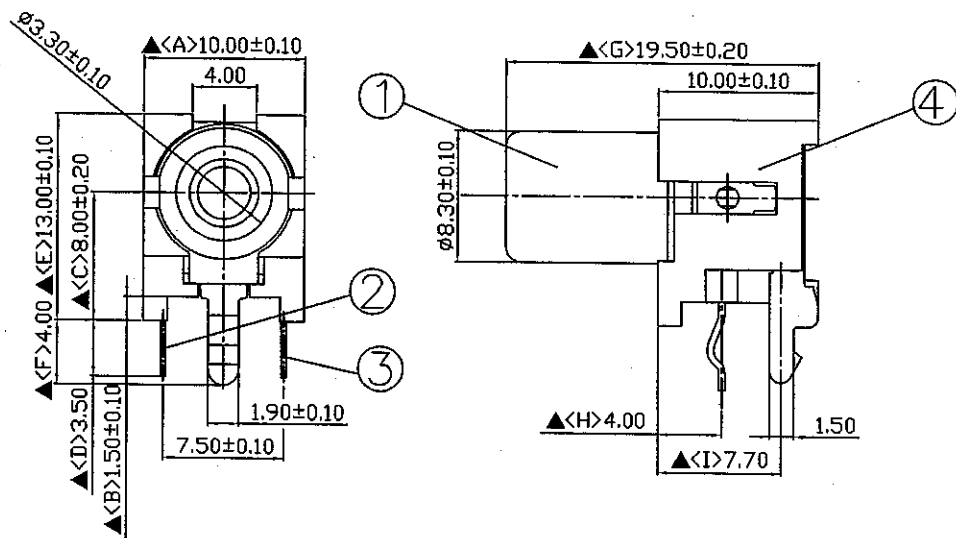
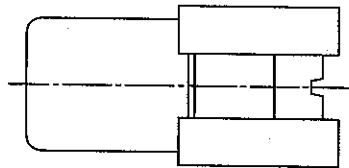


SCHEMATIC	
MODEL NO	V



NO.	Description	Material	Q'TY	Finish
4.	Housing	PBT	1	Black Color
3.	Break Terminal	0.3T Phosphor Bronze	1	Silver Plated
2.	Spring	0.3T Phosphor Bronze	1	Silver Plated
1.	Earth Terminal	0.4T Brass	1	Nickel Plated

DATE	DWN	CHKD
12.08.2005		

PART NAME : PIN JACK	PART NUMBER : SCP624VNS100000G
TOLERANCE : $\pm 0.3\text{mm}$ UNLESS OTHERWISE SPECIFIED	UNIT: mm

RoHS Compliant For Reference 僅供參考

SPECIFICATIONS:

Contact Resistance :  $30\text{m}\Omega$  max  
 Insulation Resistance :  $100\text{M}\Omega$  min. at DC 500V  
 Dielectric Withstanding Voltage: AC 500V for one minute  
 Remark: ▲: The Most Important Dimension

**SHOGYO INTERNATIONAL CORP.**  
 #SCP624VNS100000G