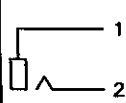
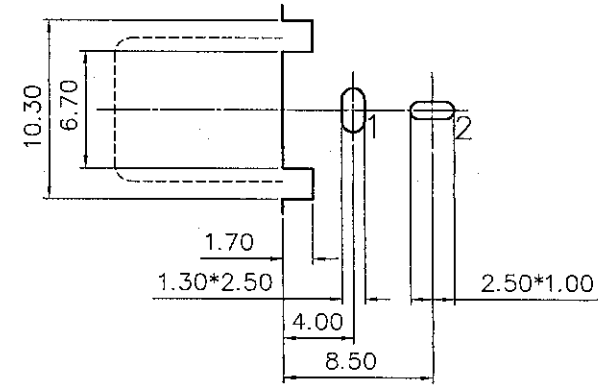
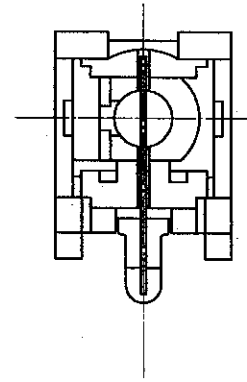
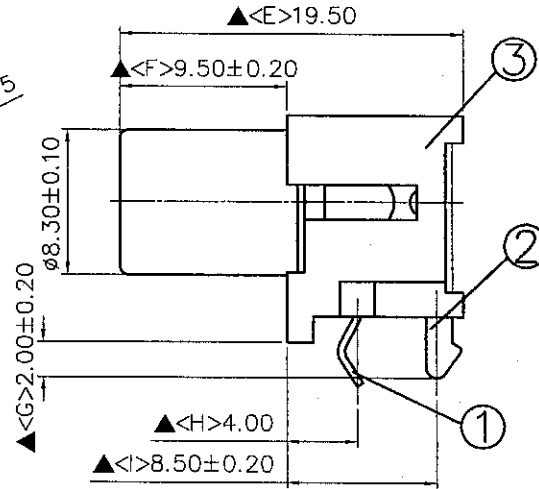
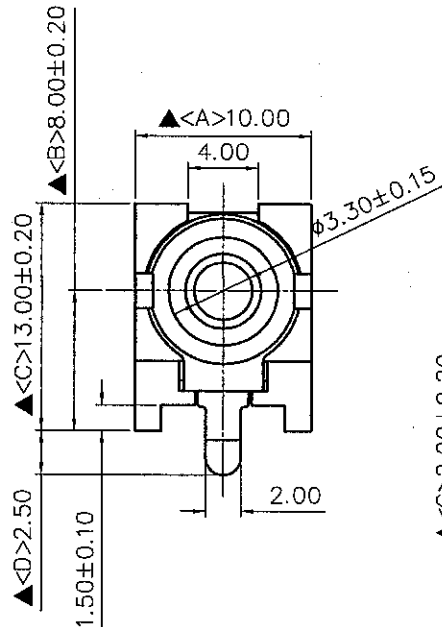
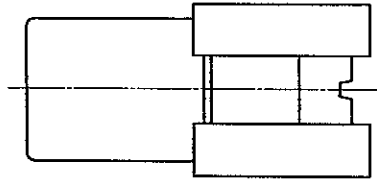



SCHEMATIC	
MODEL NO	U



Pin Hole Layout  
(Jack Bottom View)

3.	Housing	PBT	1	Black Color
2.	Pin	0.6T Brass	1	Silver Plated
1.	Earth Terminal (Barrel)	0.4T Brass	1	Nickel Plated
NO.	Description	Material	Q'TY	Finish

		DATE	DWN	CHKD
		08.11.2006		
PART NAME :PIN JACK				
TOLERANCE :±0.3mm UNLESS OTHERWISE SPECIFIED				
				UNIT:mm 

RoHS Compliant For Reference  
僅供參考

SPECIFICATIONS:  
 Contact Resistance : 30mΩ max  
 Insulation Resistance : 100MΩ min. at DC 500V  
 Dielectric Withstanding Voltage: AC 500V for one minute  
 Remark: ▲: The Most Important Dimension

**SHOGYO INTERNATIONAL CORP.**  
 # SCP625UNS100000G