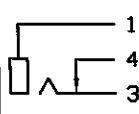
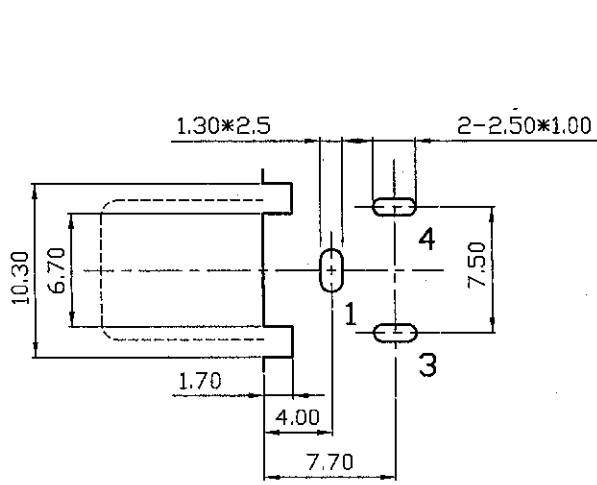
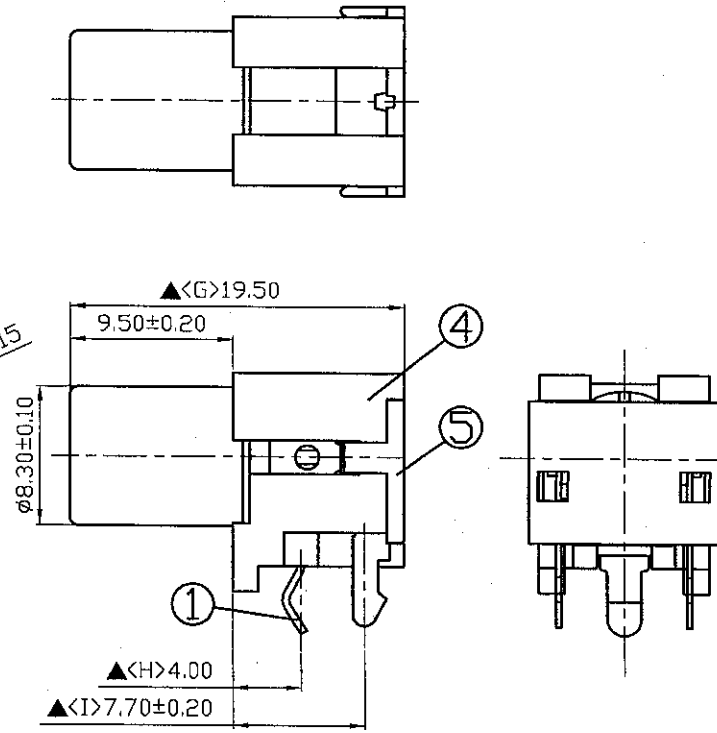
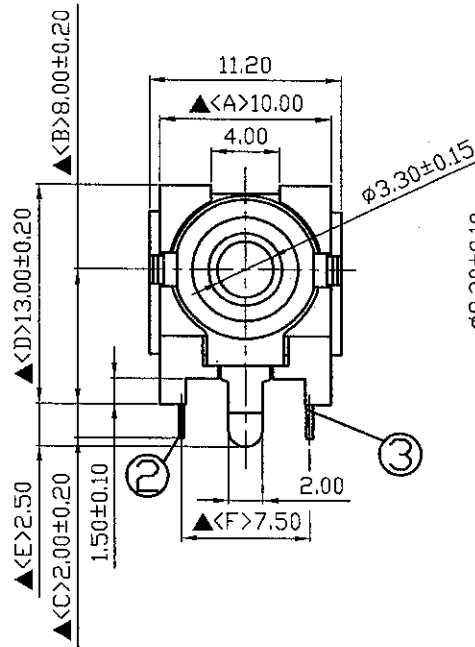


SCHEMATIC	
MODEL NO	V



Pin Hole Layout
(Jack Bottom View)




5.	Cover	PBT	1	Black Color
4.	Housing	PBT	1	Black Color
3.	Spring Terminal	0.3T Phosphor Bronze	1	Silver Plated
2.	Break Terminal	0.3T Phosphor Bronze	1	Silver Plated
1.	Earth Terminal (Barrel)	0.4T Brass	1	Nickel Plated
NO.	Description	Material	Q'TY	Finish

DATE	DWN	CHKD
08.11.2006		

PART NAME :PIN JACK

TOLERANCE :±0.3mm UNLESS OTHERWISE SPECIFIED

UNIT:mm 

RoHS Compliant For Reference
備供參考

SPECIFICATIONS:
 Contact Resistance : 30mΩ max
 Insulation Resistance : 100MΩ min. at DC 500V
 Dielectric Withstanding Voltage: AC 500V for one minute
 Remark: ▲: The Most Important Dimension

SHOGYO INTERNATIONAL CORP.

SCP625VNS10000CG