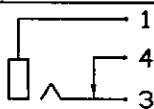
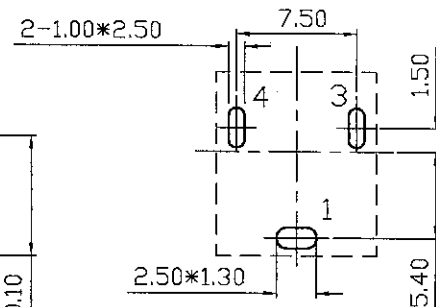
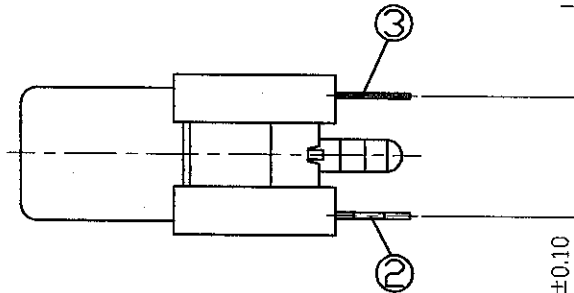
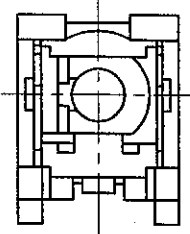
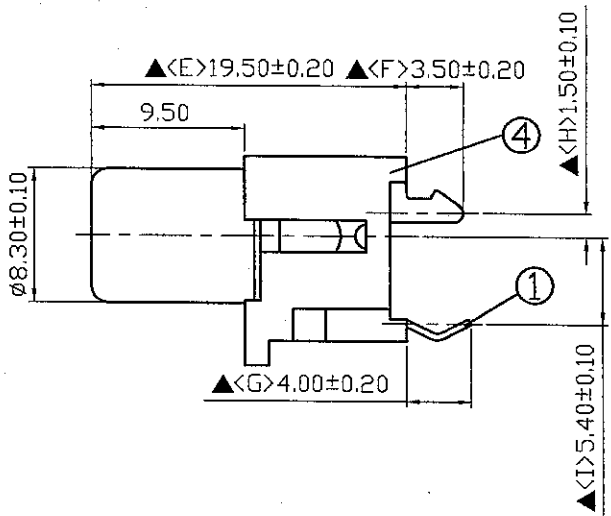
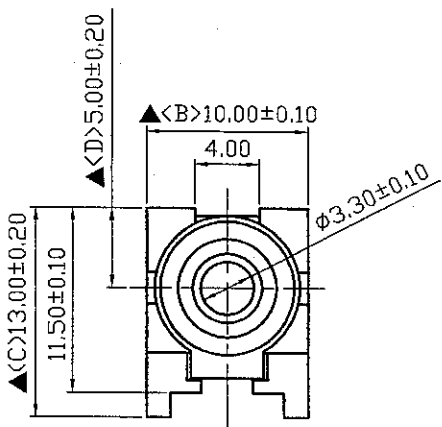


SCHEMATIC	
MODEX NO	V

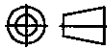


Pin Hole Layout  
(Jack Bottom View)



4.	Housing	PBT	1	Black Color
3.	Pin	0.3T Phosphor Bronze	1	Silver Plated
2.	Pin	0.3T Brass	1	Silver Plated
1.	Earth Terminal	0.4T Brass	1	Nickel Plated
NO.	Description	Material	Q'TY	Finish

DATE	DWN	CHKD
09.01.2006		

PART NAME : PIN JACK
TOLERANCE : ±0.3mm UNLESS OTHERWISE SPECIFIED
UNIT:mm 

RoHS Compliant For Reference 僅供參考

SPECIFICATIONS:  
 Contact Resistance : 30mΩ max  
 Insulation Resistance : 100MΩ min. at DC 500V  
 Dielectric Withstand Voltage : AC 500V for one minute  
 Remark: ▲: The Most Important Dimension

**SHOGYO INTERNATIONAL CORP.**  
 # SCP626VNS100000G