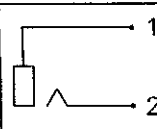
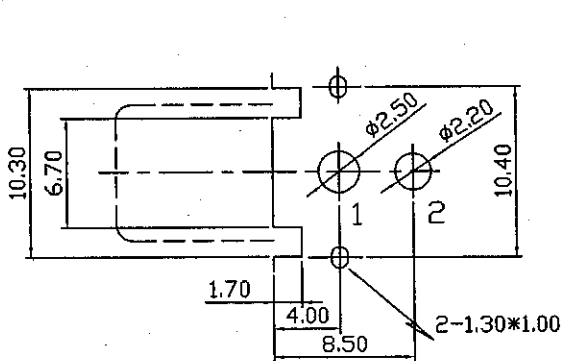
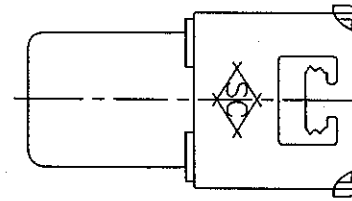
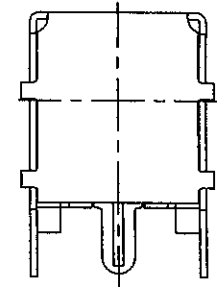
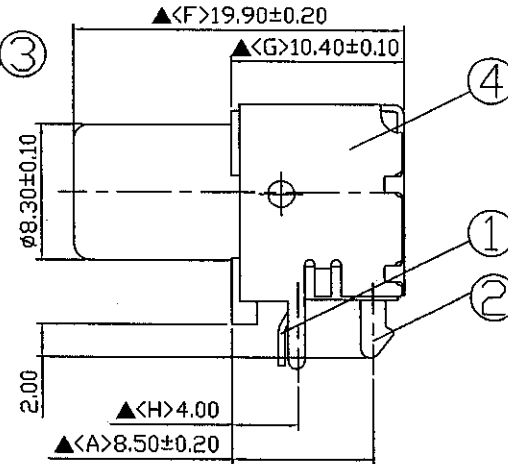
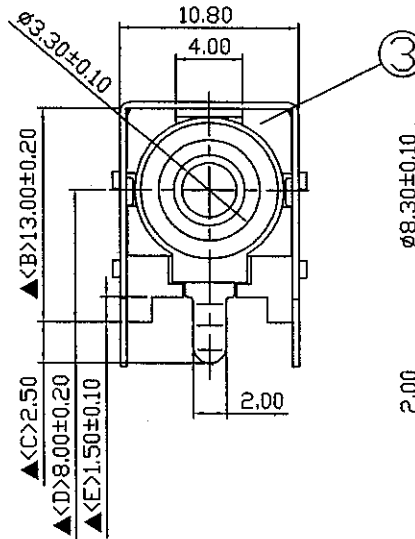


SCHEMATIC	
MODEL NO	U



Pin Hole Layout
(Jack Bottom View)




4.	Metal Shell	0.4T Steel	1	Nickel Plated
3.	Housing	PBT	1	Red Color
2.	Pin	0.6T Brass	1	Silver Plated
1.	Earth Terminal	0.4T Brass	1	Nickel Plated
NO.	Description	Material	Q'TY	Finish

DATE	DWN	CHKD
12.12.2005		

PART NAME :PIN JACK

TOLERANCE : ± 0.3 mm UNLESS OTHERWISE SPECIFIED

UNIT:mm 

RoHS
Compliant

For Reference
僅供參考

SPECIFICATIONS:
 Contact Resistance : 30m Ω max
 Insulation Resistance : 100M Ω min. at DC 500V
 Dielectric Withstand Voltage : AC 500V for one minute
 Remark: ▲ : The Most Important Dimension

SHOGYO INTERNATIONAL CORP.

SCP627UNS2N0000G