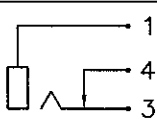
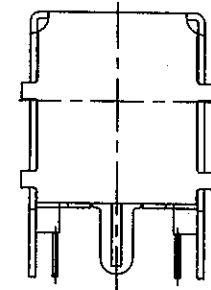
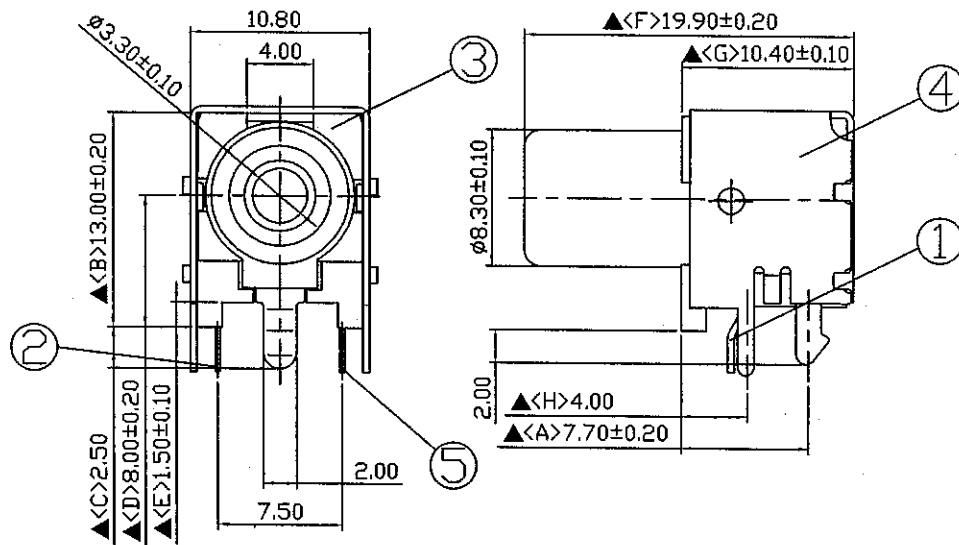
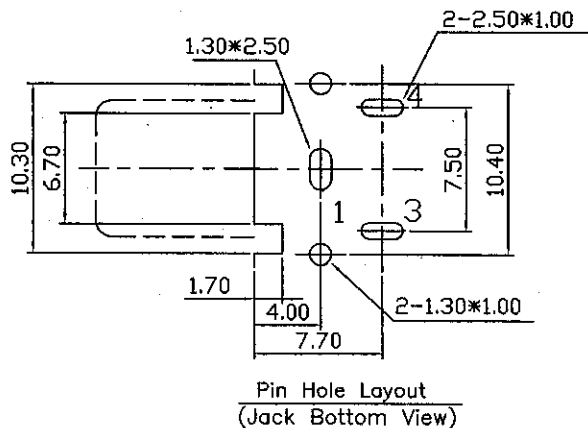
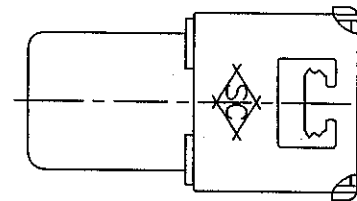


SCHEMATIC	
MODEL NO	V




5.	Spring Terminal	0.3T Phosphor Bronze	1	Silver Plated
4.	Metal Shell	0.4T Steel	1	Nickel Plated
3.	Housing	PBT	1	Black Color
2.	Break Terminal	0.3T Phosphor Bronze	1	Silver Plated
1.	Earth Terminal	0.4T Brass	1	Nickel Plated
NO.	Description	Material	Q'TY	Finish

RoHS
Compliant

For Reference
僅供參考

SPECIFICATIONS:
 Contact Resistance : 30mΩ max
 Insulation Resistance : 100MΩ min. at DC 500V
 Dielectric Withstand Voltage : AC 500V for one minute
 Remark: ▲ : The Most Important Dimension

	DATE	DWN	CHKD
	12.12.2005		
PART NAME : PIN JACK			
TOLERANCE : ±0.3mm UNLESS OTHERWISE SPECIFIED		UNIT:mm	

SHOGYO INTERNATIONAL CORP.
 #SCP627VNS1N0000G