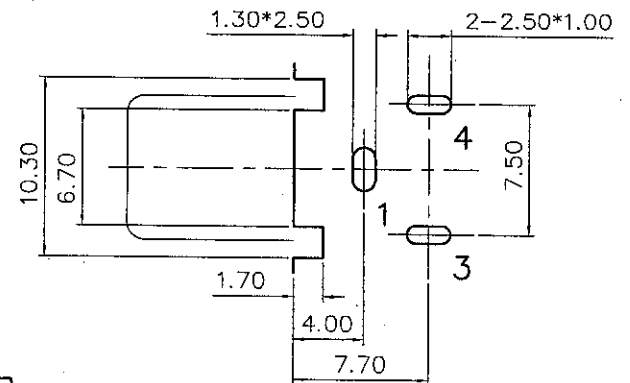
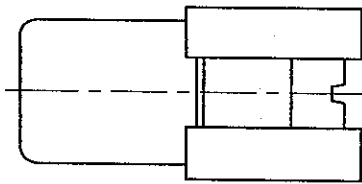
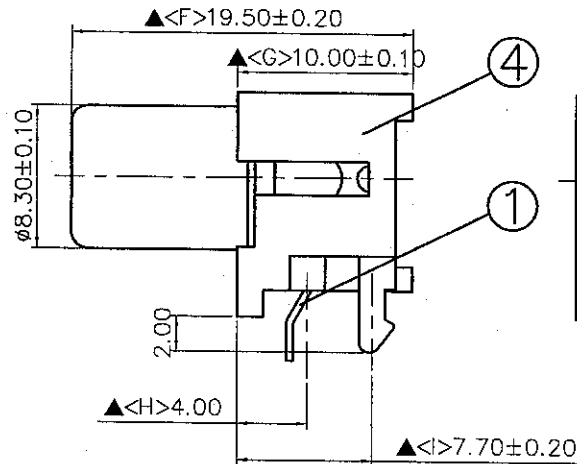
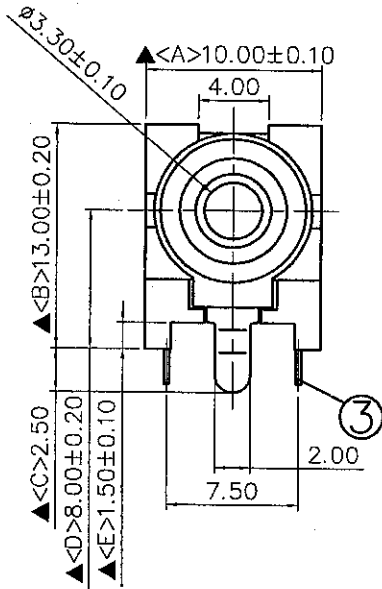


SCHEMATIC	
MODEL NO	V



Pin Hole Layout
(Jack Bottom View)



NO.	Description	Material	Q'TY	Finish
4.	Housing	PBT	1	Orange Color
3.	Spring Terminal	0.3T Phosphor Bronze	1	Silver Plated
2.	Break Terminal	0.3T Phosphor Bronze	1	Silver Plated
1.	Earth Terminal (Barrel)	0.4T Brass	1	Nickel Plated

DATE	DWN	CHKD
12.23.2010		

PART NAME : PIN JACK

TOLERANCE : ±0.3mm UNLESS OTHERWISE SPECIFIED

UNIT:mm

SPECIFICATIONS:

Contact Resistance : 30mΩ max
 Insulation Resistance : 100MΩ min. at DC 500V
 Dielectric Withstanding Voltage: AC 500V for one minute
 Remark: ▲: The Most Important Dimension

RoHS Compliant For Reference
 僅供參考

SHOGYO INTERNATIONAL CORP.

SCP627VNS800000G