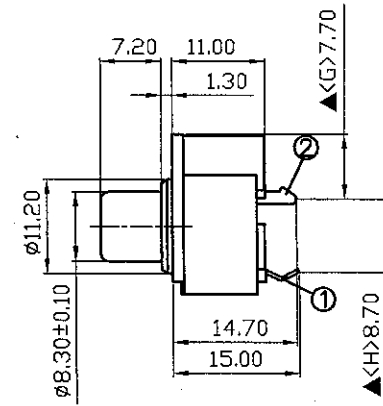
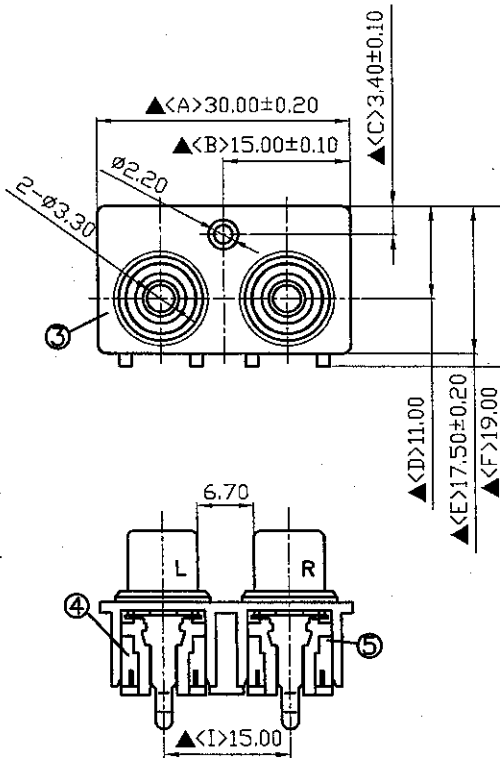


Pin Hole Layout
(Jack Bottom View)



5.	Housing	PBT	1	Red Color
4.	Housing	PBT	1	White Color
3.	Base	PBT	1	Black Color
2.	Pin	0.6T Brass	2	Silver Plated
1.	Earth Terminal	0.4T Brass	2	Nickel Plated
NO.	Description	Material	Q'TY	Finish

DATE	DWN	CHKD
12.15.2005		

PART NAME :PIN JACK

TOLERANCE :±0.3mm UNLESS OTHERWISE SPECIFIED

UNIT:mm

SPECIFICATIONS:

Contact Resistance : 30mΩ max
 Insulation Resistance : 100MΩ min. at DC 500V
 Dielectric Withstanding Voltage: AC 500V for one minute
 Remark: ▲: The Most Important Dimension

RoHS
Compliant

For Reference
僅供參考

SHOGYO INTERNATIONAL CORP.

SCP678BNS320U00G